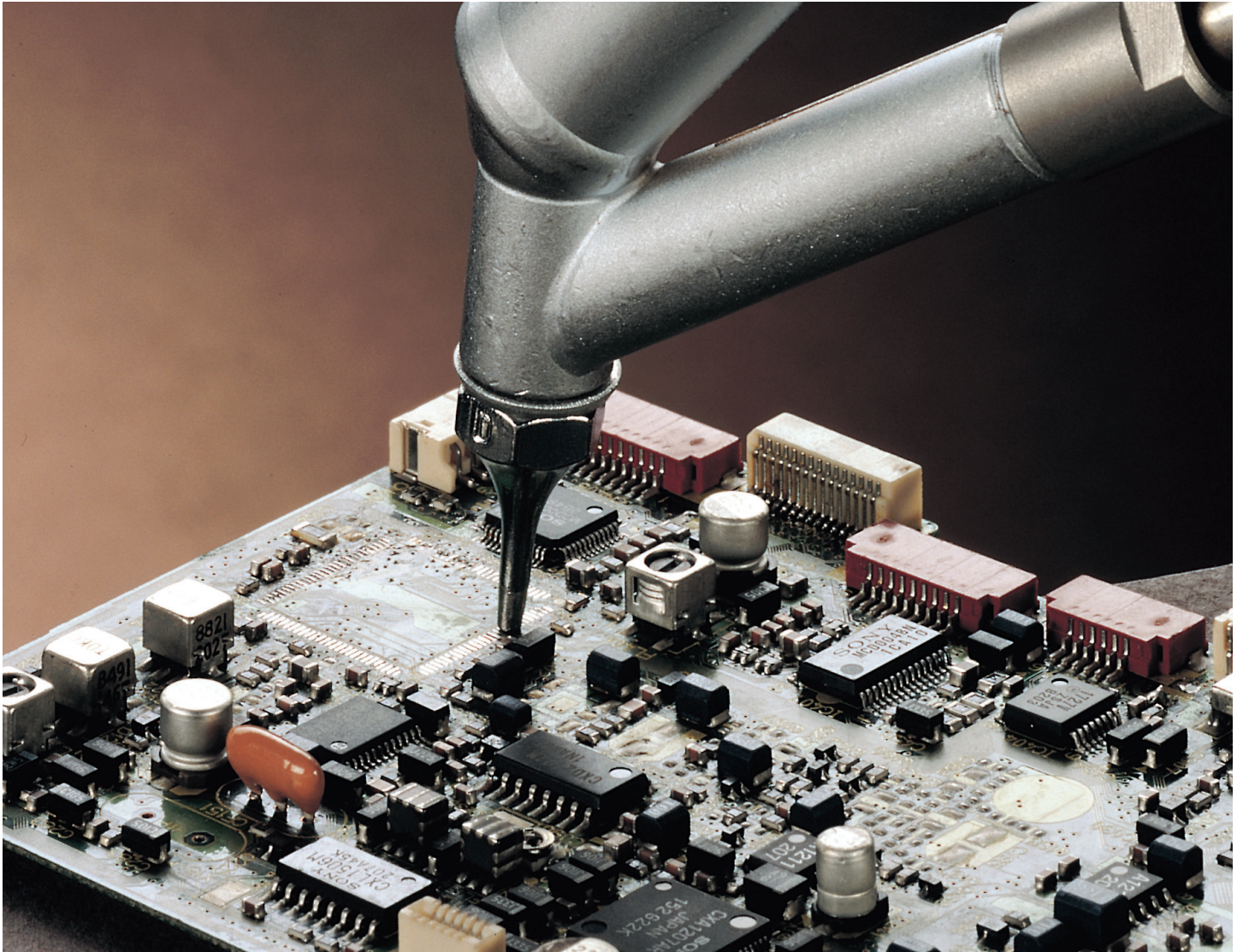


JBC

www.jbctools.com



CATALOG CLASSIC Series 15.0

CE ESD safe

All JBC products comply with EC regulations,
and the ESD recommendations.



The power of experience

More than 80 years of experience have placed JBC at the technological forefront of tools for soldering and rework operations in electronics. Innovation, efficiency and reliability are the key features of a wide range of products which have been designed to satisfy the most demanding requirements of professionals.

High technology, superior quality

Product perfection is one of the main objectives of JBC's improvement and development program. The R&D department has created the most innovative soldering technologies, which JBC is proud to present in this catalogue.

A global organization at your service

JBC is a global company with a distributor network spanning 5 continents that guarantees a solid commercial organization with quick and efficient service.



CLASSIC SERIES

Solders

Pencil Soldering Irons



14ST
Page 6



30ST
Page 6



40ST
Page 7



65ST
Page 7

Temperature-Controlled Soldering Iron



SL 2020
Page 10

Soldering Irons with solder feed system



55N PULSMATIC
Page 8



LS 1100
Page 13



US 1000



TS 1200
Page 13

Desolders



DST
Desoldering
Page 7

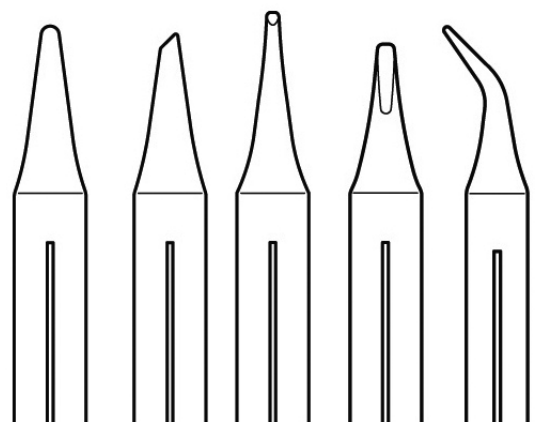


Desoldering Pump
Page 8



UD 1500
Page 13

Tips



Page 14-15

Fast Soldering Gun



IN 2100
Page 8

Gas



SG 1070
Page 11

Senior



50S
Page 16



80S
Page 17



150S
Page 17



325S
Page 17



SS 7300
Page 16

Accessories



Sponges
Page 13



Shears
Page 18



Tweezers
Page 19



Metal Brush
Page 13



Tip inserter & extractor clip
Page 12

Pencil Soldering & Desoldering Irons

The heating system used in the pencil-type Soldering Irons enables all the heat produced by the element to be utilized, and a quick temperature recovery is achieved.

The wide range of long-life tips and matching accessories enables all kinds of electronics tasks to be carried out.

All the 230 V pencil-type Soldering Irons are equipped with long-life tips and a thermo-resistant three-core cable and plug; they are officially approved models and comply with all the European standards.

See page 14-15 for range of tips.

14ST · 230 V

Ref.

2192040 ST Thermo-resistant 230 V with B-05 D tip

0192880 Replacement element

Features

- Power: 11 W
- Max. temperature: 340 °C
- Delay to 300 °C: 2 min. 30s.
- Weight without cable: 18,5 gr.
- Total packaged: 100 gr.

30ST · 230 V

Ref.

3302040 ST Thermo-resistant 230 V with R-10 D tip

9302320 Kit 30ST
Soldering iron with R-10 D tip and holder

9303074 Soldering iron 24 V without tip

0302885 Replacement element

Features

- Power: 25 W
- Max. temperature: 380 °C
- Delay to 300 °C: 2 min. 15 s.
- Weight without cable: 40 gr.
- Total packaged: 120 gr.



40ST · 230 V

Ref.

1402040 ST Thermo-resistant 230 V
with R-10 D tip

0402883 Replacement element

Features

- Power: 26 W
- Max. temperature: 380 °C
- Delay to 300 °C: 2 min.
- Weight without cable: 40 gr.
- Total packaged: 120 gr.



65ST · 230 V

Ref.

3652040 ST Thermo-resistant 230 V
with R-20 D tip

0652883 Replacement element

Features

- Power: 32 W
- Max. temperature: 440 °C
- Delay to 300 °C: 2 min.
- Weight without cable: 60 gr.
- Total packaged: 150 gr.



DST · Desoldering Iron 230 V

Ref.

1322040 DST Thermo-resistant 230 V
with 20 DE tip

0302885 Replacement element

Features

- Power: 25 W
- Max. temperature: 350 °C
- Delay to 300 °C: 5 min.
- Weight without cable: 105 gr.
- Total packaged: 185 gr.



55N · Solder Feed Iron 230 V

Ref. 2552016

These Soldering Irons enable solder wire to be fed through as necessary, thus freeing the hand that normally holds the solder when soldering.

It allows you to increase the quantity of production and reduce costs. Essential for repetitive jobs and where a "third hand" is needed to hold the component when soldering.

The soldering irons are fitted with a Solder Reel (Ref: SN5450). Solder feed from external high-capacity reels can be arranged. Adjusted for solder wire of Ø1 mm.

See page 14 for range of tips.



Features

- Power: 33 W
- Max. temperature: 410 °C
- Delay to 300 °C: 3 min.
- Supplied with C-20 D Tip
- Weight without cord: 228 gr.
- Packaged weight: 520 gr.

55N · Solder Feed Iron 24 V

Ref. 9553074

Same Features as the soldering iron 55N 230 V.
Supplied without tip.

Solder Reel

Ref. SN5450

Spare reel with 50 gr. of 1 mm diameter 60% Sn / 40 %Pb solder.

IN2100 · Fast Soldering Iron 230 V

Ref. 2132058

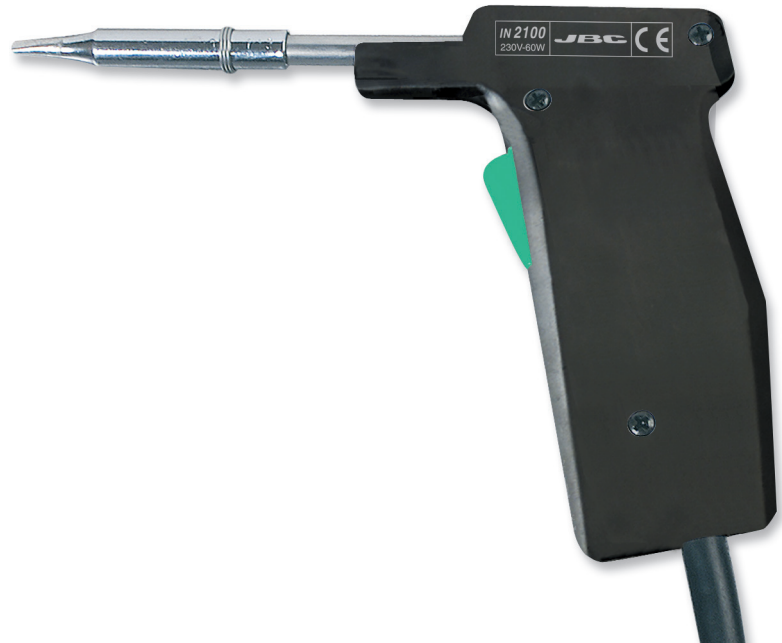
It reaches its working temperature in just 25 seconds. It is the ideal tool for on-site repairs, or when a quick and powerful heat source is required.

It is fitted with a spiral spring which acts as a protector for keeping the soldering iron hot, and as a support when working.

See page 14 for range of tips.

Features

- Initial power: 200 W
- Maintenance power: 60 W
- Rapid heating to 200 °C: approx. 25 seconds.
- Supplied with T-20 Long-Life tip.
- Weight without cord: 110 gr.
- Packaged weight: 210 gr.



DU1191 · Desoldering Pump

Ref. 0119107

With great efficiency, it delivers an absorption volume that is 50% higher than other such pumps.

One hand is all that is needed to operate it, since the loading system can be operated with just one finger (fig. 1) or by pressing down on any surface (fig. 2).

Replacement nozzle Ø 2.4 mm (Ref: 0119560).



SL2020 · Temperature-Controlled Soldering Iron 230 V

Ref. 2020200

With a highly reliable temperature control system built into the handle.

Its size and weight are similar to those of a pencil soldering iron. This Soldering Iron is complete in itself, with a three-pin mains plug and a heat resistant cable.

All its components are replaceable.

See page 14 for range of tips.

Features

- Direct mains supply at 230 V 50 Hz
- Power: 40 W
- Reserve power: 200 W
- Temperature selection from 100 to 400 °C
- Time to 300 °C: 40 sec.
- Fitted with R-10 D tip
- Weight without cord: 70 gr.



SG1070 • Gas Soldering Iron 230 V

Ref. 0201070

The regulated power, variety of tips and the three different working types allows you to carry out every single electronic job.

It is ideal for home repairs and wherever it is difficult to find electricity supply.

Features

- Piezo-electric ignition.
- Gas regulation equivalent to a power range of 25 to 125 W.
- Maximum temperature:

Soldering iron	580 °C
Hot air	625 °C
Mini-torch	1300 °C
- Fuel: filtered butane gas.
- Transparent gas capsule.
- Gas capacity: 15 cm³
- Time between reloads: 2 hours at average power.
- Fitted with SF 2,4 tip.
- Empty weight: 150 gr.



Different working modalities



Soldering iron

8 tip models for carrying out all kinds of soldering in electronics work.
Maximum temperature: 580 °C



Hot air

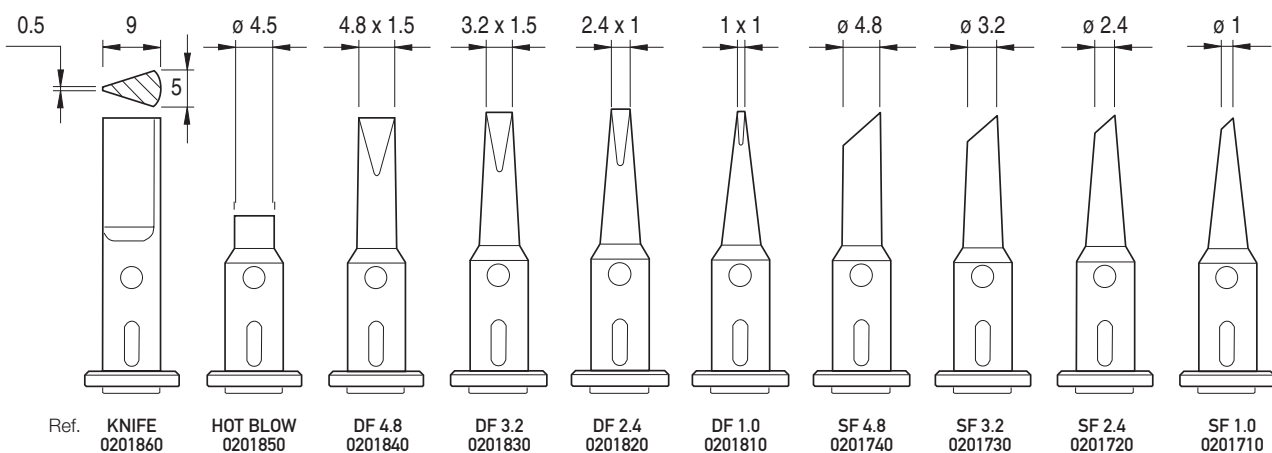
Capable of soldering and desoldering SMD ICs, plastics moulding, etc.
Maximum temperature: 625 °C



Mini blow-torch

For soldering with silver alloys.
Maximum temperature: 1300 °C

Compatible tips for SG1070



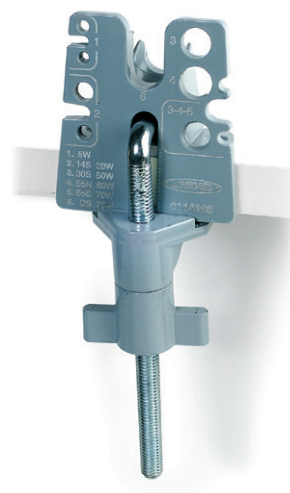
Pencil Series **Accessories**

Tip inserter & extractor clip

Ref. **0114108**

Tip changing accessory.

The different anchor points facilitate tip changing in all soldering and desoldering iron models.



Soldering Irons **Stands**

US 1000

Ref. **0290100**

For Soldering Irons
30 ST, 40 ST, 65 ST, SL 2020



UD 1500

Ref. **0290150**

For Desoldering Irons
DST



LS 1100

Ref. **0290110**

For Soldering Irons
14 ST



TS 1200

Ref. **0290120**

For Soldering Irons
55N



Metal Brush

Ref. **0297705**



Spare Sponge

Ref. **S6169**

Sponge 58 X 58 cm (Standard)

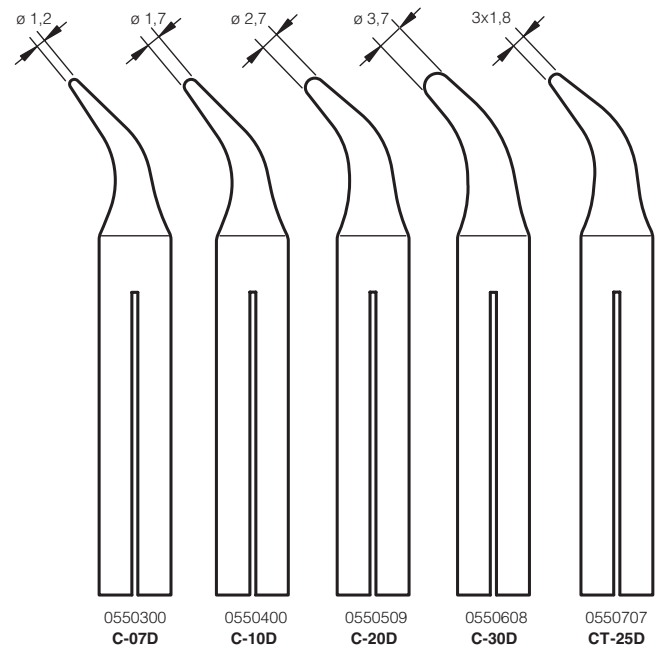
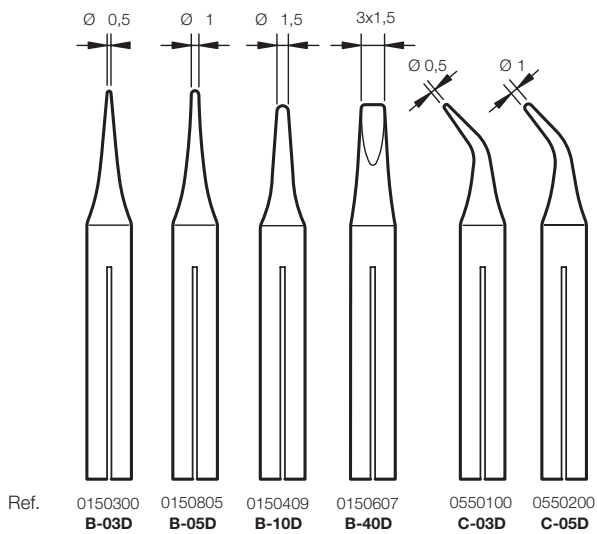


Long-Life Soldering Tips

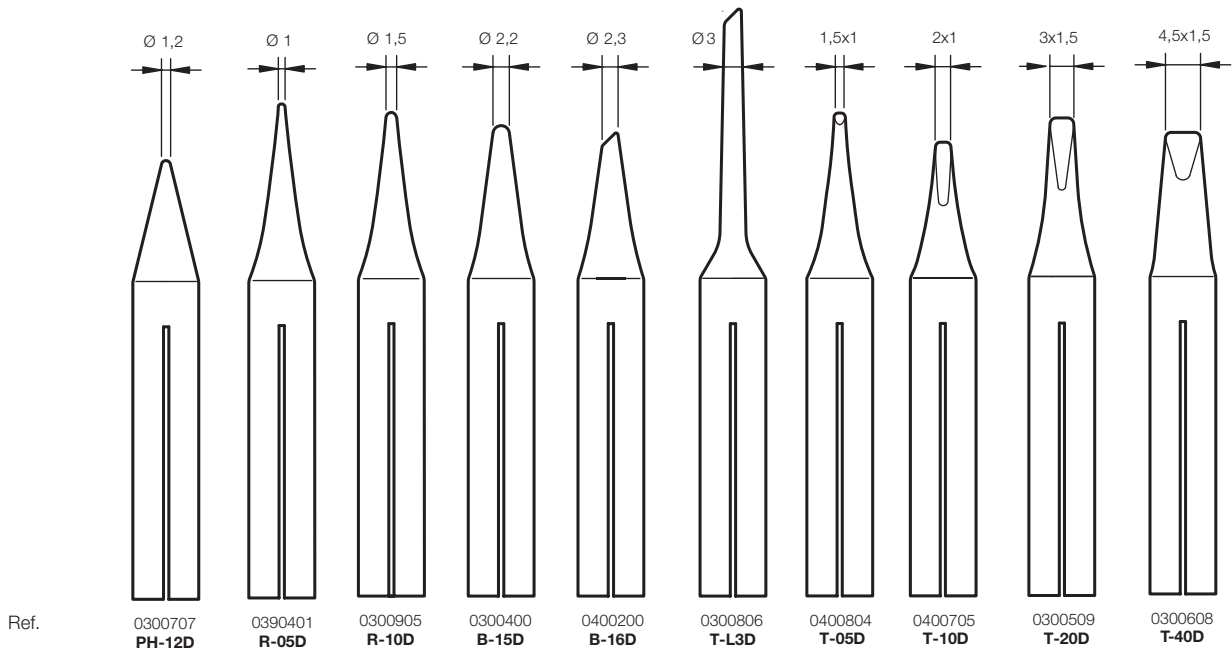
E 1:1
 The tips are made of copper protected by various layers: iron, nickel and chromium, respectively, and they are also pretinned and ready for use. With this treatment, deformation and wear are thereby avoided. Its working life is equivalent to 20 copper tips.

14ST

55N



30ST / 40ST / SL 2020 / IN 2100

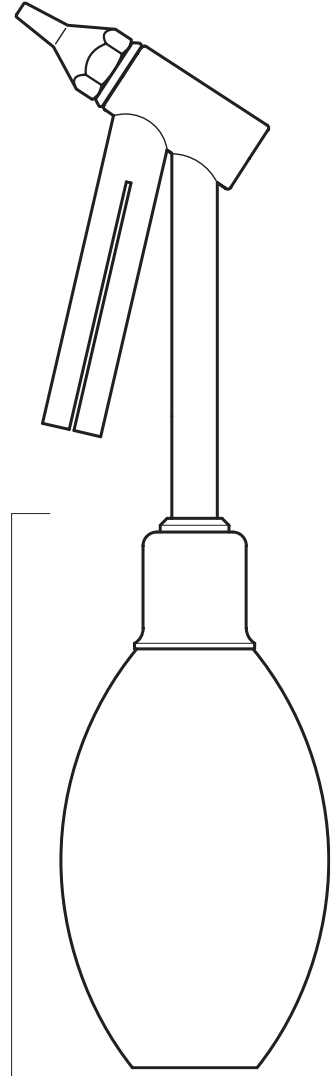


Desoldering Tips

E 1:1

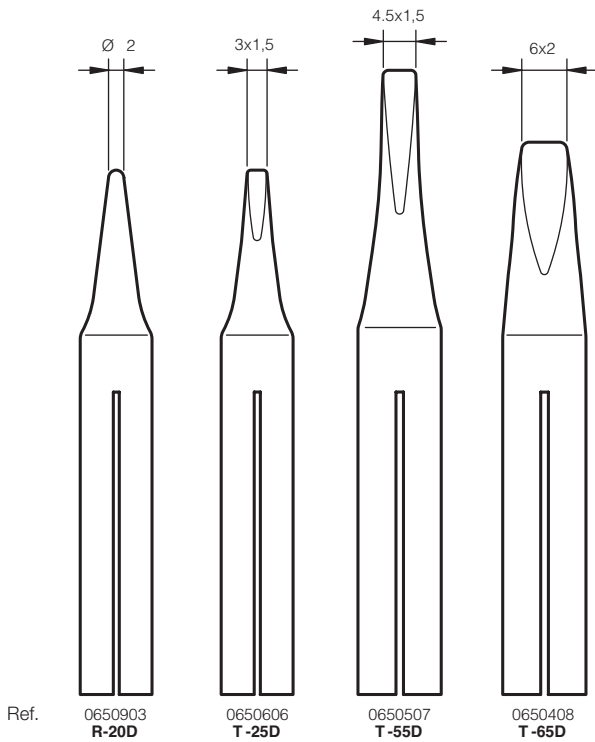
30ST / 40ST/ SL 2020

Ref. **0329920**



Air Bulb
Ref. **0325704**

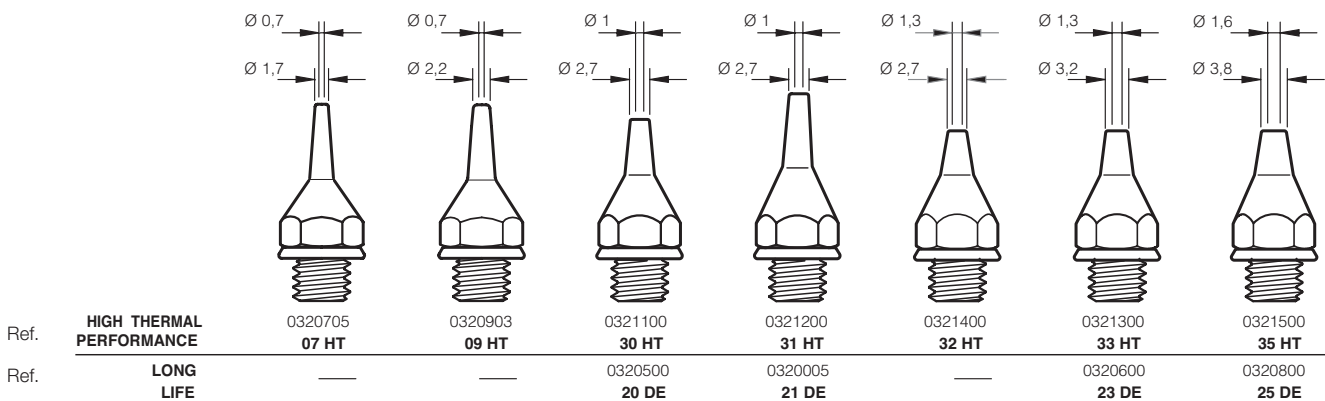
65ST



DST

High thermal performance P/N HT: This kind of tip has great heat-transmission capability, and thus greater speed in desoldering. They are not quite as durable as the armoured long-life type.

Long-life P/N DE: These tips are heavily armoured inside and out. They are very durable, though with lower heat-transmission.



Senior Series Soldering Irons

These sturdily-built soldering irons are big in capacity and performance, and there are five power ratings to choose from.

They are ideal for working with electricity, power electronics, car electrics and general industrial tasks.

Supplied with Long Life Tip.

They are a supplied set for 230 V, though other power settings are available to order.

50S · 230 V

Ref.

0502020 LD Long life tip 230 V

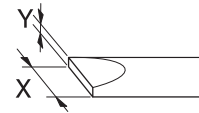
Features

- Power: 70 W
- Maximum temperature: 460 °C
- Time to reach 325 °C: 4,5 min.
- Soldering iron weight: 220 gr.

Tips Long life 50D

Ref. 0500405

X/Y 7,5 / 2



SS 7300 · Stand

Ref. **0187300**

It can be used for all the Senior Soldering Irons range, the straight ones as well as the hammer-shape ones.

Fitted with a sponge and a wire brush to simplify tip cleaning.



80S · 230 V

Ref.

0802020 LD Long life tip 230 V

Features

- Power: 95 W
- Maximum temperature: 460 °C
- Time to reach 325 °C: 6 min.
- Soldering iron weight: 230 gr.

Tips Long life 80D
Ref. 0800409
X/Y 8,5 / 2

150S · 230 V

Ref.

0182020 LD Long life tip 230 V

Features

- Power: 150 W
- Maximum temperature: 550 °C
- Time to reach 325 °C: 7 min.
- Soldering iron weight: 445 gr.

Tips Long life 150D
Ref. 0180420
X/Y 16,5 / 5

325S · 230 V

Ref.

0352020 LD Long life tip 230 V

Features

- Power: 300 W
- Maximum temperature: 550 °C
- Time to reach 325 °C: 10 min.
- Soldering iron weight: 1.140 gr.

Tips Long life 325D
Ref. 0350170
X/Y 26,5 / 7,5



E 1:2

Shears & Tweezers for the Electronics

Features of the Shears:

- Easy scissor cutting action.
- Reinforced steel cutting edge.
- Ergonomic grip covered with non-slip vinyl foam.
- Long lasting return spring.

8001844 · 270 Side cutting shears

For soft wires up to 0.8 mm Ø

- Total length: 126 mm
- Weight: 46 gr.



8001970 · 270 AS Antistatic version

8001877 · 2175 Side cutting shears

For soft wires up to 1.6 mm Ø

- Total length: 149 mm
- Weight: 79 gr.



8001980 · 2175 AS Antistatic version

8001976 · 140 Side cutting shears made from special steel

For soft wires up to 0.8 mm Ø

- For extended life
- Total length: 125 mm
- Weight: 42 gr.



8001984 · 240 55° angle cutting shears

For soft wires up to 0.8 mm Ø

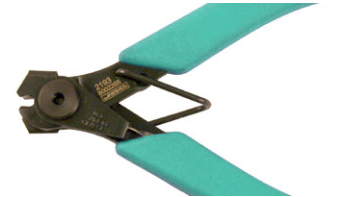
- Total length: 126 mm
- Weight: 43 gr.



8002265 · 2193F Cutting shears

For memory wire, silver, gold and copper wire

- For cutting twisted cable and music wire up to 0.060", 14 AWG (1.6mm)
- Total length: 140 mm
- Weight: 90 gr.



8002275 · 9180NS Cutting shears

For soft sheet metals up to 0.030" (0.8mm)

- Total length: 145 mm
- Weight: 68 gr.



8001992 · 540 Very fine flat tip clip pliers

For precision work

- Total length: 140 mm
- Weight: 50 gr.



8002008 · 740 Flat tip clip shears

For general electronics jobs

- Total length: 128 mm
- Weight: 43 gr



8001802 · 760 Cutting and fixing shears

For soft wires up to 0.8 mm Ø

- Total length: 125 mm
- Weight: 46 gr



8002925 · Clip retainer

- Retains cut wire.
- Adaptable to models 270 and 140.



Features of the Tweezers:

- Made from matt finished anti-acid, anti-magnetic stainless steel.
- Thanks to tip design, they are well suited for both through hole insertion components and SMDs.

Ref. **8002099 · AA SA**

Tweezers for general use in electronics.

Length: 127 mm



Ref. **8002107 · OC SA**

Very fine-tipped tweezers.

Length: 90 mm



Ref. **8002115 · 2A SA**

Round-tipped tweezers with large holding surface.

Length: 115 mm



Ref. **8002123 · 3C SA**

Very fine-tipped tweezers for miniature jobs.

Length: 90 mm



Ref. **8002131 · 5 SA**

Extrafine tip tweezers for facilitating field of view when

handling SMD components.

Length: 90 mm



Ref. **8002149 · 7 SA**

Curved tip tweezers for jobs requiring magnifying glass.

They leave the field of view clear.

Length: 115 mm





Follow us:



www.jbctools.com



0012176/0215