



Part of Ant Group Ltd

CORSTAT® SHIPPING SOLUTIONS

For many years engineers have relied on the consistency of the Corstat® conductive packaging material, as it provides a buried shielding layer and a sealed surface for a controlled anti static path to ground. Corstat® the cleanest, longest-lasting conductive corrugated board in the marketplace used in both our stock conductive packaging products and bespoke ESD & anti static packaging items.



+44 (0) 1473 836 200



Corstat® Handling and Shipping Solutions

Corstat Conductive Corriplast is a robust ESD Safe conductive plastic packaging material, suitable for use in clean room environments when static protection is required. Its durability makes it particularly suitable when longevity and reusability is an issue. We also offer a selected stock of the highly popular SSI Schaefer EF Series Conductive Containers – Rigid Tote Bins which are ideal for ESD protection in manual and automatic handling.

Chip Boxes

FEATURES:

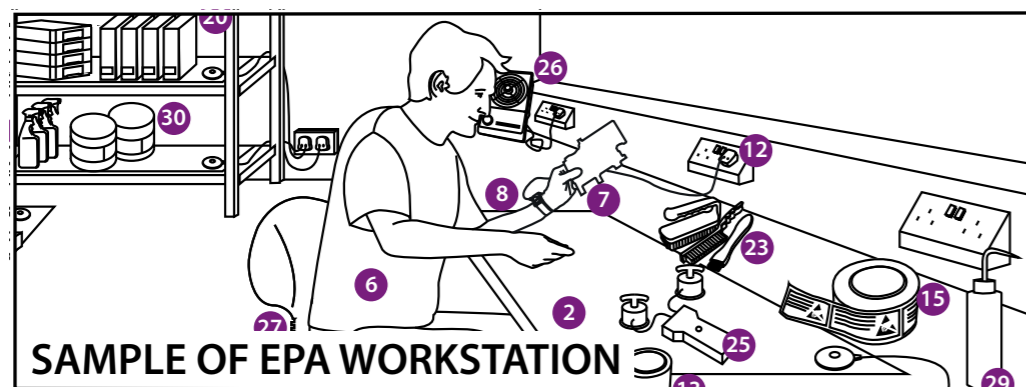
- Manufactured from Corstat conductive corrugated fibreboard, our chip boxes provide an ESD safe and cost effective method of shipping chips and small electronic devices.
- They can be provided with soft antistatic foam or high density pin stick grade conductive foam to suit your specific requirement.
- Available from stock for next day delivery.
- If you have a requirement not catered for, please contact us as specials orders can be made to any size.



PRODUCT CODE:	DESCRIPTION:	SIZE L x W x D (MM):	ADDITIONAL NOTES:
027-0017	Chip Box (CH-5)	90 x 30 x 15	Flat Packed
027-0019	Chip Box (CH-10)	100 x 60 x 15	Flat Packed
027-0018	Chip Box (CH-20)	120 x 100 x 15	Flat Packed
027-0023	Chip Box (CH-40)	140 x 40 x 15	Flat Packed
027-0024	Chip Box (CH-60)	160 x 80 x 15	Flat Packed
027-0027	Chip Box (CH-80)	180 x 80 x 15	Flat Packed

EPA WORKSTATION

Thinking of setting up your own EPA Workstation?
 Download our EPA Workstation guide from our website for help at
<http://www.antistat.co.uk/shopimages/Sample%20of%20EPA%20Workstation.pdf>



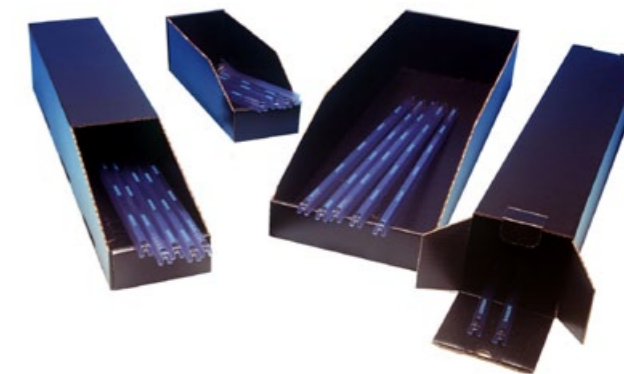
SAMPLE OF EPA WORKSTATION

Bin Boxes

FEATURES:

Our bin boxes are manufactured from Corstat Conductive Fibreboard, giving static shielding and physical protection to its contents.

- Fully Open – Provide in plant ESD protection for dips tubes, IC's and other components.
- Open Front – Offer the same protection as the open bins but enable them to be stackable, so utilising storage space more effectively.
- Closed – Provides Faraday protection for shipping IC's in insulated tubes. Can be used in storage for dissipation of static charges.



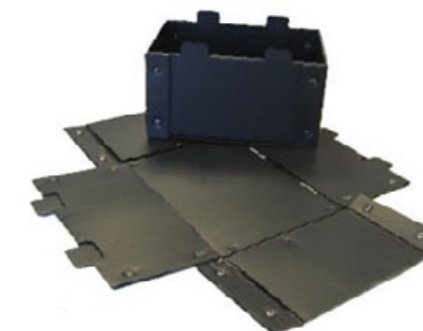
NOTES: All bin boxes are supplied flat packed.

PRODUCT CODE:	DESCRIPTION:	INTERNAL DIMENSIONS L x W x D (MM):	ADDITIONAL NOTES:
026-0170	Fully Open Bin (634)	152 x 76 x 114	Each
026-0171	Fully Open Bin (944)	229 x 102 x 114	Each
026-0172	Fully Open Bin (964)	229 x 152 x 114	Each
026-0173	Fully Open Bin (1110)	300 x 100 x 100	Each
026-0174	Fully Open Bin (1115)	300 x 150 x 100	Each
026-0175	Fully Open Bin (1120)	300 x 200 x 100	Each
026-0176	Fully Open Bin (1130)	300 x 300 x 100	Each
026-1007	Fully Open Bin (1200)	635 x 60 x 108	Each
026-1008	Fully Open Bin (1205)	635 x 108 x 108	Each
026-1009	Fully Open Bin (1226)	635 x 153 x 108	Each
026-1010	Fully Open Bin (1244)	635 x 203 x 108	Each
026-1011	Fully Open Bin (1266)	635 x 260 x 108	Each
026-1012	Open Front Bin (2205)	635 x 108 x 108	Each
026-1013	Open Front Bin (2244)	635 x 203 x 108	Each
026-1014	Closed Bin (2000)	635 x 108 x 108	Each

Collapsible Tote

FEATURES:

- The Collapsible Tote bin offers a perfect solution where space is an issue for storage or returnability.
- Manufactured from conductive corriplast the collapsible tote is lightweight, robust and ESD safe storage medium.
- Supplied in 6 stock sizes to suit corstat division sets or any standard tote bin fittings.
- With or without lids to satisfy your specific requirements.

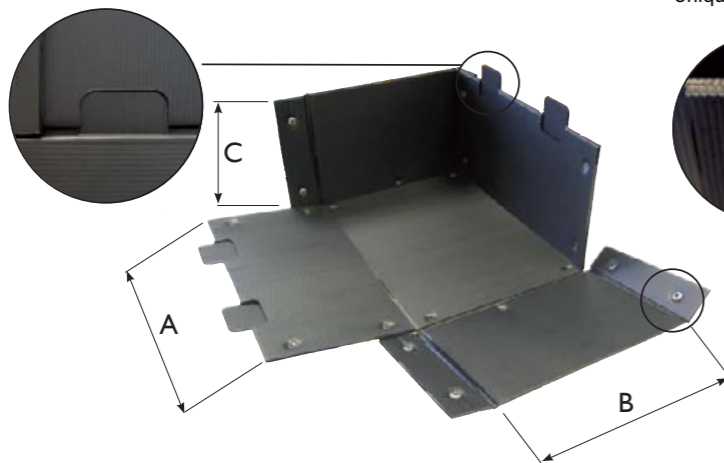




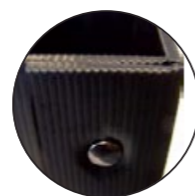
Collapsible Tote

PRODUCT CODE:	DESCRIPTION:	DIMENSION A		DIMENSION B		DIMENSION C		ADDITIONAL NOTES:
		EXTERNAL	INTERNAL	EXTERNAL	INTERNAL	EXTERNAL	INTERNAL	
026-0472	Collapsible Tote Box (6000-641)	600	578	400	378	110	102	Each
026-0473	Collapsible Tote Box (6000-642)	600	578	400	378	220	212	Each
026-0474	Collapsible Tote Box (6000-643)	600	578	400	378	300	283	Each
026-0460	Collapsible Tote Box (6000-431)	400	378	300	276	110	102	Each
026-0471	Collapsible Tote Box (6000-432)	400	378	300	276	220	212	Each
026-0459	Collapsible Tote Box (6000-433)	400	378	300	276	300	283	Each
026-0470	Collapsible Tote Lid (6000-64)	600 x 400 x 50 (INTERNAL DIMENSIONS)						Each
026-0461	Collapsible Tote Lid (6000-43)	400 x 300 x 50 (INTERNAL DIMENSIONS)						Each

Stacking Feature:



Unique Fastening System:



Collapsible Tote Divisions

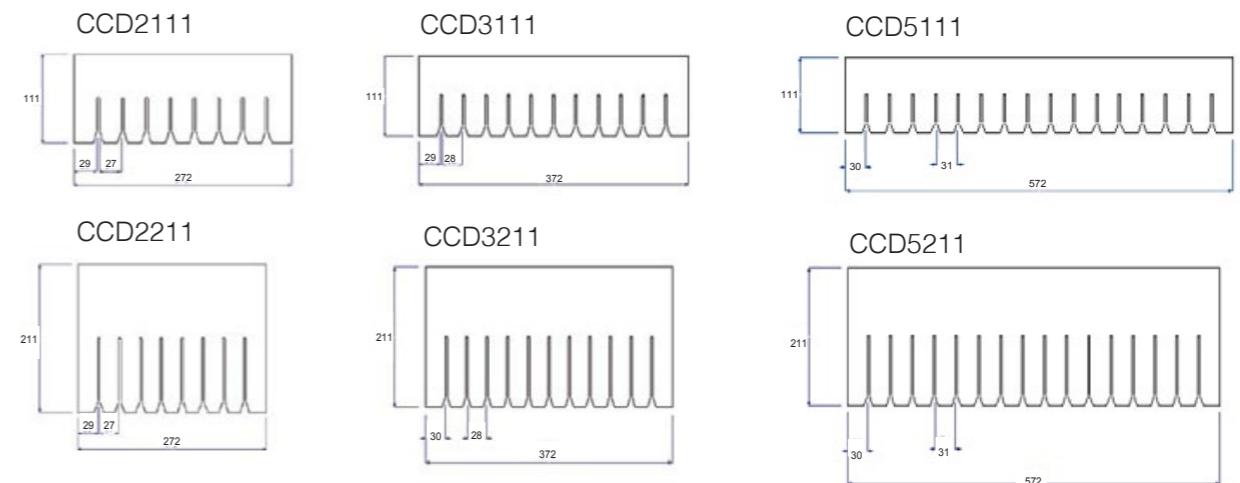
FEATURES:

- Manufactured from Conductive Corriplast, these divisions are robust and ESD safe.
- With slots at 30mm increments, the divisions can be arranged to create a network of cells to suit your particular application, without the need for tooling.
- The divisions are designed to fit our award winning Collapsible Totes 600mm x 400mm and 400mm x 300mm tote boxes and are available in 2 standard heights.
- Of course if these divisions do not suit your specific need, we can manufacture bespoke sizes in any quantity to fulfil your requirements.



Collapsible Tote Divisions

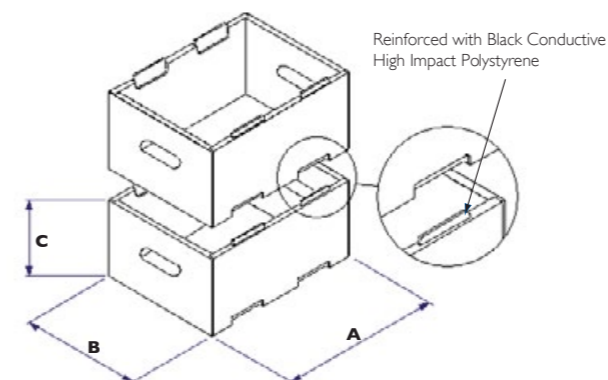
PRODUCT CODE:	DESCRIPTION:	SIZE L x W x D (MM):	ADDITIONAL NOTES:
026-0462	Collapsible Tote Divisions (CCD5111)	111 x 272 x 3	8 Slots 27mm Spacing / Each
026-0463	Collapsible Tote Divisions (CCD3111)	111 x 372 x 3	11 Slots 28mm Spacing / Each
026-0475	Collapsible Tote Divisions (CCD2111)	111 x 572 x 3	16 Slots 31mm Spacing / Each
026-0476	Collapsible Tote Divisions (CCD5211)	211 x 272 x 3	8 Slots 27mm Spacing / Each
026-0477	Collapsible Tote Divisions (CCD3211)	211 x 372 x 3	11 Slots 28mm Spacing / Each
026-0478	Collapsible Tote Divisions (CCD2211)	211 x 572 x 3	16 Slots 31mm Spacing / Each



Stacking Totes

FEATURES:

- Corstat Stacking Tote Bins are manufactured from Corstat Conductive Fibreboard and are available from stock, in a range of sizes.
- The tote bins are a flexible solution for in plant component handling and storage.
- They can be fitted with stock divisions to specifically suit your application.
- Offering a light weight, cost effective alternative to conventional injected moulded products, whilst offering complete static protection.
- Please note lids sold separately.





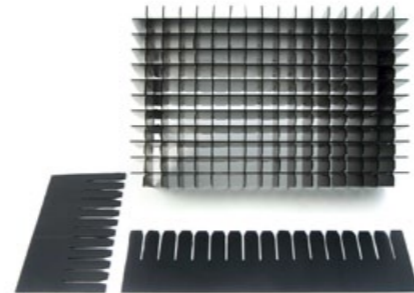
Stacking Totes

PRODUCT CODE:	DESCRIPTION:	DIMENSION A (MM)		DIMENSION B (MM)		DIMENSION C (MM)		ADDITIONAL NOTES:
		EXTERNAL	INTERNAL	EXTERNAL	INTERNAL	EXTERNAL	INTERNAL	
026-0400	Stacking Tote (5000-643)	600	572	400	372	300	291	Each
026-0401	Stacking Tote (5000-642)	600	572	400	372	220	211	Each
026-0402	Stacking Tote (5000-641)	600	572	400	372	120	111	Each
026-0403	Stacking Tote (5000-640)	600	584	400	384	58	55	Each
026-0404	Stacking Tote (5000-433)	400	372	300	272	300	291	Each
026-0405	Stacking Tote (5000-432)	400	372	300	272	220	211	Each
026-0406	Stacking Tote (5000-431)	400	372	300	272	120	111	Each
026-0407	Stacking Tote (5000-431.6)	400	372	300	272	165	160	Each
026-0410	Stacking Tote Lids (5000-64)	600 x 400 x 50 (INTERNAL DIMENSIONS)						Lid Only/Each
026-0411	Stacking Tote Lids (5000-43)	400 x 300 x 50 (INTERNAL DIMENSIONS)						Lid Only/Each

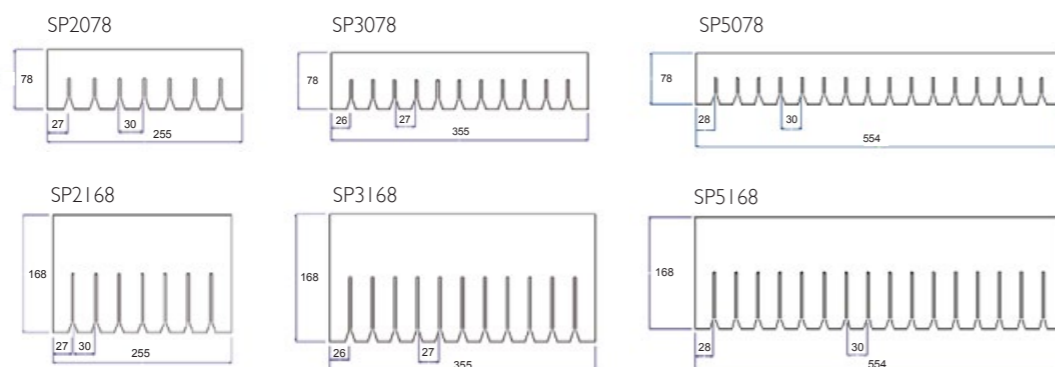
Slotted Tote Divisions

FEATURES:

- Manufactured from 3mm conductive fluted polypropylene, these divisions are robust, ESD safe and suitable for use in clean room environments.
- With slots at 30mm increments, the divisions can be arranged to create a network of cells to suit your particular application, without the need for tooling.
- The divisions are designed to fit most commonly used 600mm x 400mm and 400mm x 300mm tote boxes and are available in 2 standard heights.
- Of course if these divisions do not suit your specific need, we can manufacture bespoke sizes in any quantity to fulfil your requirements.



PRODUCT CODE:	DESCRIPTION:	SIZE L x W x D (MM):	ADDITIONAL NOTES:
026-0028	Slotted Tote Division (SP2078)	78 x 255 x 3	7 Slots 30mm spacing / Each
026-0027	Slotted Tote Division (SP3078)	78 x 355 x 3	11 Slots 27mm spacing / Each
026-0034	Slotted Tote Division (SP5078)	78 x 554 x 3	16 Slots 30mm spacing / Each
026-0036	Slotted Tote Division (SP2168)	168 x 255 x 3	7 Slots 30mm spacing / Each
026-0035	Slotted Tote Division (SP3168)	168 x 335 x 3	11 Slots 27mm spacing / Each
026-0041	Slotted Tote Division (SP5168)	168 x 554 x 3	16 Slots 30mm spacing / Each



Component Boxes

FEATURES:

- The Corstat range of component boxes offer a convenient and safe way to store and transport static sensitive devices.
- The Corstat conductive coating provides faraday cage protection and the antistatic foam provides ESD safe cushioning.
- The packs are available in a comprehensive range of sizes and are available from stock, assembled or flat packed as required for next day delivery.

If you have a requirement not catered for in the above size range, please enquire about a special order to exactly suit your requirements.



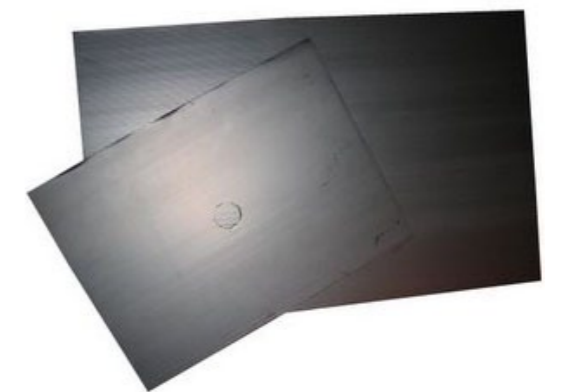
Prefix Part Number with an "A" if unassembled with no foam is required. "B" if assembled with Profiled Pink Antistatic Foam is required. 38mm Deep Component Boxes are assembled with 10mm Base / 10mm Rise Profiled Pink Antistatic Foam. All other depths are assembled with 6mm Pink Antistatic Foam. Die Cut Foam or Conductive Foam can be supplied by special request.

PRODUCT CODE:	DESCRIPTION:	SIZE L x W x D (MM):	ADDITIONAL NOTES:
026-0153	Die Cut Component Boxes (CBS)	40 x 40 x 15	Flat Packed / Each
026-0002	Die Cut Component Boxes (CB1)	60 x 60 x 25	Flat Packed / Each
026-0020	Die Cut Component Boxes (CB4)	74 x 64 x 40	Flat Packed / Each
026-0003	Die Cut Component Boxes (CB2)	100 x 100 x 38	Flat Packed / Each
026-0204	Die Cut Component Boxes (CB3)	135 x 50 x 20	Flat Packed / Each
026-0142	Die Cut Component Boxes (SM12)	146 x 70 x 24	Flat Packed / Each
026-0151	Die Cut Component Boxes (SM14)	146 x 146 x 24	Flat Packed / Each
026-0152	Die Cut Component Boxes (IC5050)	178 x 89 x 25	Flat Packed / Each

Corriplast Layer Pads

FEATURES:

- Manufactured from Corstat coated corrugated fibreboard, these layer pads offer a flexible and competitive solution where rigid layer separation is required.
- Available in 2 stock sizes to fit most standard tote bins.
- If a special size is required please enquire as these can easily be manufactured.



PRODUCT CODE:	DESCRIPTION:	SIZE L x W x D (MM):	ADDITIONAL NOTES:
026-0457	Corriplast Layer Pads (SP3525)	350 x 250 x 3	Each
026-0479	Corriplast Layer Pads (SP5535)	550 x 350 x 3	Each



Inplant Handlers

FEATURES:

- Our Inplant Handlers are manufactured from Corstat Conductive Fibreboard and are available from stock, in a range of sizes.
- Our adjustable inplant handler system, allows you to accommodate nearly any board size by simply moving or removing partitions to achieve the desired cell size.
- Select the best inplant handler to suit your requirement, or simply contact us to assist in configuring the most suitable product for you.
- Please note dimensions are stated as l x w x d.



PRODUCT CODE:	DESCRIPTION:	INTERNAL DIMENSIONS (MM):	CELL DIMENSIONS (MM):	CELLS:
026-1044	Inplant Handler (4000-40)	575 x 305 x 328	124 x 25 x 326	40
026-0031	Inplant Handler (4000-30)	575 x 305 x 328	167 x 25 x 326	30
026-0021	Inplant Handler (4000-20)	575 x 305 x 328	254 x 25 x 326	20
026-1047	Inplant Handler (4000-10)	575 x 305 x 328	514 x 25 x 326	10
026-1048	Inplant Handler (4001-40)	575 x 305 x 400	124 x 25 x 398	40
026-0040	Inplant Handler (4001-30)	575 x 305 x 400	167 x 25 x 398	30
026-1050	Inplant Handler (4001-20)	575 x 305 x 400	254 x 25 x 398	20
026-1051	Inplant Handler (4001-10)	575 x 305 x 400	514 x 25 x 398	10
026-1052	Inplant Handler (4003-20)	455 x 245 x 480	198 x 19 x 478	20
026-1053	Inplant Handler (4003-10)	455 x 245 x 480	402 x 19 x 478	10
026-1054	Inplant Handler (4005-40)	425 x 245 x 280	86 x 19 x 278	40
026-1055	Inplant Handler (4005-20)	425 x 245 x 280	180 x 19 x 278	20
026-1056	Inplant Handler (4005-10)	425 x 245 x 280	370 x 19 x 278	10
026-0022	Inplant Handler (4007-40)	425 x 245 x 190	90 x 19 x 188	40
026-0180	Inplant Handler (4007-30)	425 x 245 x 190	121 x 19 x 188	30
026-0181	Inplant Handler (4007-20)	425 x 245 x 190	184 x 19 x 188	20
026-0182	Inplant Handler (4007-10)	425 x 245 x 190	374 x 19 x 188	10
026-1061	Inplant Handler (4008-80)	550 x 390 x 186	49 x 43 x 184	80
026-1062	Inplant Handler (4008-40)	550 x 390 x 186	92 x 43 x 184	40
026-0465	Inplant Handler (4010-50)	332 x 274 x 128	64 x 24 x 126	50
026-1064	Inplant Handler (4010-10)	332 x 274 x 128	198 x 24 x 126	10
026-1065	Inplant Handler (4012-100)	448 x 348 x 124	42 x 32 x 122	100
026-1066	Inplant Handler (4012-50)	448 x 348 x 124	86 x 32 x 122	50
026-0464	Inplant Handler (4014-100)	378 x 368 x 66	70 x 15 x 64	100
026-1068	Inplant Handler (4014-40)	378 x 368 x 66	168 x 15 x 64	40
026-1069	Inplant Handler (4016-80)	578 x 299 x 80	110 x 16 x 78	80
026-1070	Inplant Handler (4016-32)	578 x 299 x 80	240 x 16 x 78	32

Transit Packs

FEATURES:

- The Corstat range of transit packs offer a convenient and safe way to store and transport static sensitive devices.
- The Corstat conductive coating provides faraday cage protection and the antistatic foam provides ESD safe cushioning.
- The packs are available in a comprehensive range of sizes and are available from stock assembled or flat packed as required for next day delivery.
- All packs are supplied flat packed.



PRODUCT CODE:	DESCRIPTION:	SIZE L x W x D (MM):	ADDITIONAL NOTES:
026-0005	Corstat Coated Transit Packs (3080-1)	178 x 127 x 38	Each
026-0006	Corstat Coated Transit Packs (3090-2)	178 x 127 x 64	Each
026-1102	Corstat Coated Transit Packs (3095-22)	178 x 127 x 96	Each
026-0007	Corstat Coated Transit Packs (3180-3)	229 x 191 x 38	Each
026-0060	Corstat Coated Transit Packs (3190-4)	229 x 191 x 64	Each
026-0008	Corstat Coated Transit Packs (3195-24)	230 x 180 x 96	Each
026-1106	Corstat Coated Transit Packs (3220-5)	267 x 216 x 38	Each
026-0010	Corstat Coated Transit Packs (3230-6)	267 x 216 x 64	Each
026-1108	Corstat Coated Transit Packs (3245-26)	267 x 216 x 96	Each
026-0011	Corstat Coated Transit Packs (3310-7)	318 x 267 x 38	Each
026-0013	Corstat Coated Transit Packs (3320-8)	318 x 267 x 64	Each
026-1111	Corstat Coated Transit Packs (3335-28)	318 x 267 x 96	Each
026-1112	Corstat Coated Transit Packs (3400-9)	340 x 140 x 64	Each
026-1113	Corstat Coated Transit Packs (3431-13)	375 x 133 x 38	Each
026-1114	Corstat Coated Transit Packs (3501-05)	394 x 318 x 38	Each
026-0014	Corstat Coated Transit Packs (3500-10)	394 x 318 x 64	Each
026-0029	Corstat Coated Transit Packs (3515-30)	394 x 318 x 96	Each
026-1117	Corstat Coated Transit Packs (3600-11)	521 x 394 x 38	Each
026-0016	Corstat Coated Transit Packs (3610-12)	521 x 394 x 64	Each
026-1119	Corstat Coated Transit Packs (3625-32)	521 x 394 x 96	Each
026-1120	Corstat Coated Transit Packs (3854-14)	550 x 470 x 64	Each
026-1121	Corstat Coated Transit Packs (3975-16)	700 x 500 x 85	Each

Prefix Part Number with an "A" when unassembled with no foam is required. "B" when assembled with Profiled Pink Antistatic Foam is required. High or low density Conductive Foam fittings are available as an alternative if required. Transit Packs can also be manufactured from Conductive Corriplast where a heavy duty application is required, or products need to be used in a cleanroom environment.

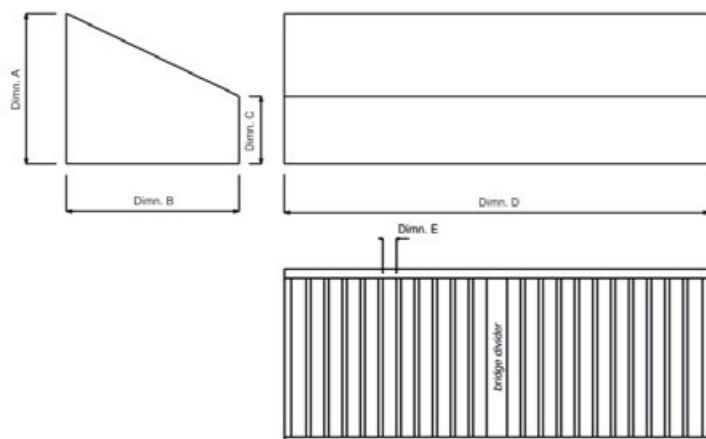
If you have a specific requirement that is not covered by the size range, please enquire, as any size can be manufactured as a special order.



Reel Storage Systems

FEATURES:

- The Corstat Reel Storage System is a new flexible bench mount storage system for 7" and 15" component reels.
- Manufactured from Corstat Coated Corrugated fibreboard as standard, or conductive fluted polypropylene plastic for clean room or heavy wear environments.
- The storage system is available in single, double and triple module units and the division spacing can be 18mm or 32mm to suit the application.
- The units are supplied fully assembled and configured to suit your exact requirements.



NOTE: bridge divider- 1 off per Double Rack, 2 off per Triple Rack

PRODUCT CODE:	DESCRIPTION:	DIM A REAR HEIGHT	DIM B OVERALL WIDTH	DIM C FRONT HEIGHT	DIM D OVERALL LENGTH	DIM E CELL WIDTH	NO OF CELLS:
026-1071	Reel Rack 7" Single Unit - 18MM SLOTS	200	240	93	273	18	11
026-1072	Reel Rack 7" Single Unit - 32MM SLOTS	200	240	93	273	32	7
026-1073	Reel Rack 7" Double Unit - 18MM SLOTS	200	240	93	573	18	22
026-1074	Reel Rack 7" Double Unit - 32MM SLOTS	200	240	93	573	32	14
026-1075	Reel Rack 7" Triple Unit - 18MM SLOTS	200	240	93	860	18	33
026-1076	Reel Rack 7" Triple Unit - 32MM SLOTS	200	240	93	860	32	21
026-1077	Reel Rack 15" Single Unit - 18MM SLOTS	200	385	93	273	18	11
026-1078	Reel Rack 15" Single Unit - 32MM SLOTS	200	385	93	273	32	7
026-1079	Reel Rack 15" Double Unit - 18MM SLOTS	200	385	93	573	18	22
026-1080	Reel Rack 15" Double Unit - 32MM SLOTS	200	385	93	573	32	14
026-1081	Reel Rack 15" Triple Unit - 18MM SLOTS	200	385	93	860	18	33
026-1082	Reel Rack 15" Triple Unit - 32MM SLOTS	200	385	93	860	32	21

PLEASE NOTE: all dimensions above are quoted in mm, unless otherwise stated.

Anti-static Conductive Board Coating



EFFECTIVE PROTECTION: Corstat anti-static conductive board coating is a well proven material for use in antistatic packaging. It has been available for over 11 years.

EFFECTIVE PRODUCTION: Containers coated with our materials are easily converted on standard machinery. The results gives cheaper, more durable packaging than conductive plastic or fibreboard alternatives.

- Corstat anti-static conductive board coating is consistently manufactured, within an ISO 9002 approved environment, to high specifications which are accepted worldwide, Corstat has a shiny finish due to the overseas varnish during manufacture.
- Corstat anti-static conductive board coating is biodegradable and recyclable.
- These products do not contain any heavy metals, aromatics or halogenated hydrocarbons.

TECHNICAL:	RESULT:	TEST STANDARD:
Electrical		
1.1 Surface Resistivity		
1.11 Buried Shielding Layer	<10 ⁴ Ω/sq	As per ASTM D257-78
1.12 Exterior Layer	<10 ⁵ Ω/sq	
1.2 Electrostatic Decay Rate	Less than 2 secs to theoretical zero	
1.3 ESD Shielding	99% Attenuation	Capacity Probe Test
1.4 Triboelectric Charge Generation	approx. 0.1C/inch ² condition	-
Chemical		
2.1 Corrosivity	Reducible Sulphur: .00035%	.0008% non-tarnishing to silver, solder and copper per TAPPI T-406
2.12 Amines	None	-
2.2 Galvanic Reaction	None	-
Mechanical		
3.1 Liner Papers	100% Pure Kraft	-
3.2 Shelf Life	10 years	-
3.3 Humidity Dependence	No effect on electrical properties	-

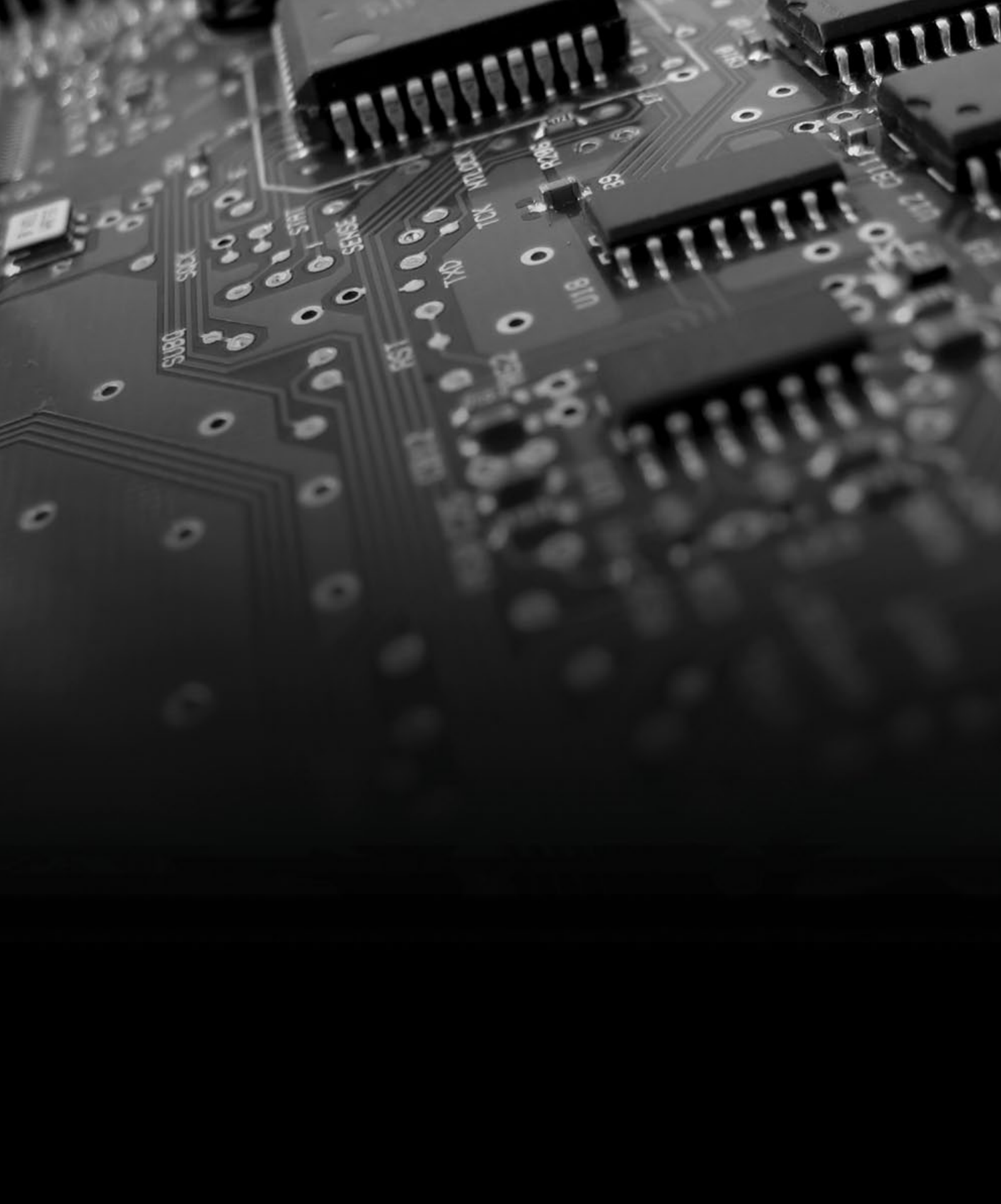
Conductive Tote Bins

FEATURES:

- Conductive containers available in a range of sizes.
- These Rigid Tote Bins provide an ideal container for manual and automatic handling.
- Sturdy stacking rims and flat bottom surface ensure that the containers can be securely stacked with a stacking load of up to 600kg, independent of the area of use.
- Can be combined with Slotted Tote Divisions.
- As special orders we can add conductive foam inserts or bespoke partitions to our Rigid Tote Bins for the complete solution, please contact us for more details.



CONDUCTIVE POLYPROPYLENE (PPL):	PPL:
Specific Volume Resistance	10 ³ Ω x cm
Specific Surface Resistance	10 ⁴ Ω



Part of Ant Group Ltd

108 Claydon Business Park, Great Blakenham, Ipswich, IP6 0NL, UK
t +44 (0) 1473 836 200 f +44 (0) 1473 836 220 e sales@antistat.co.uk

www.antistat.co.uk

Ant Group comprises of Antistat, Cygna and Cyberpac, all of which are trading divisions of ESD Control Centre Ltd. Registered No. 2526954