

WORKSTATION CATALOGUE



NSLAB

**TECHNICAL/
ESD/LAB
FURNITURE**



ABOUT US

We in NS Lab have accumulated significant experience in electronics, microelectronics, laboratory facilities equipment and semiconductor industries markets, offering technologies, machines and furnishing, providing solutions, services and technical support.

Our workbenches are in use in almost every industry throughout the EU and ME. Technical, ESD and Lab furniture is our specialty for a number of environments from Universities and Biotech to Semiconductor and Electronics Manufacturers.

NS LAB company specializes in the design and manufacture of workstations for laboratory, industrial and technical environments to maximize our customers productivity. We build ergonomic solutions that combine safety with the industrial-grade reliability.

Technological innovations are dramatically changing the way we work today and the working environment is not immune to these changes.

We know there's no one-size-fits-all when it comes to workstations and additional equipment. For years, we've been creating forward-thinking, modular equipment solutions designed to grow and evolve alongside your business.

TABLE OF CONTENT

About us	4
OUR customers	6
AL Aluminium series workbenches	8
AG Argentum series workbenches	12
AU E Aurum Electric series workbenches.....	18
OS Osmium series workbenches	22
PT Platinum series workbenches	26
ZR Zirconium series workbenches	30
AG B and AG C basic workbenches	36
Drawer units	38
Movable tables and carts	40
Workplaces additional equipment	41
Cabinets and wardrobes	42



MODULAR DESIGN

Interchangeable units and convenient online configurator allow making a best choice of a workstation.



ERGONOMICS AND FUNCTIONALITY

Proper ergonomics is vital for workplace comfort and healthy working environment. Working surfaces of the workstations are height/angle adjustable.



20+ YEARS IN WORKSTATIONS PRODUCING INDUSTRY

We aim to create solutions that meet the very highest demands. We have furnished thousands of different industrial enterprises from all over European Union, Middle Eastern and North African regions.



2 YEARS WARRANTY

Our furniture has been tested in companies requiring precision performance and in some of the harshest environments in the world.



FREE TECHNICAL SUPPORT

Our goal is to bring an exceptional level of customer service and free technical support, design consultancy and 3D layouts.



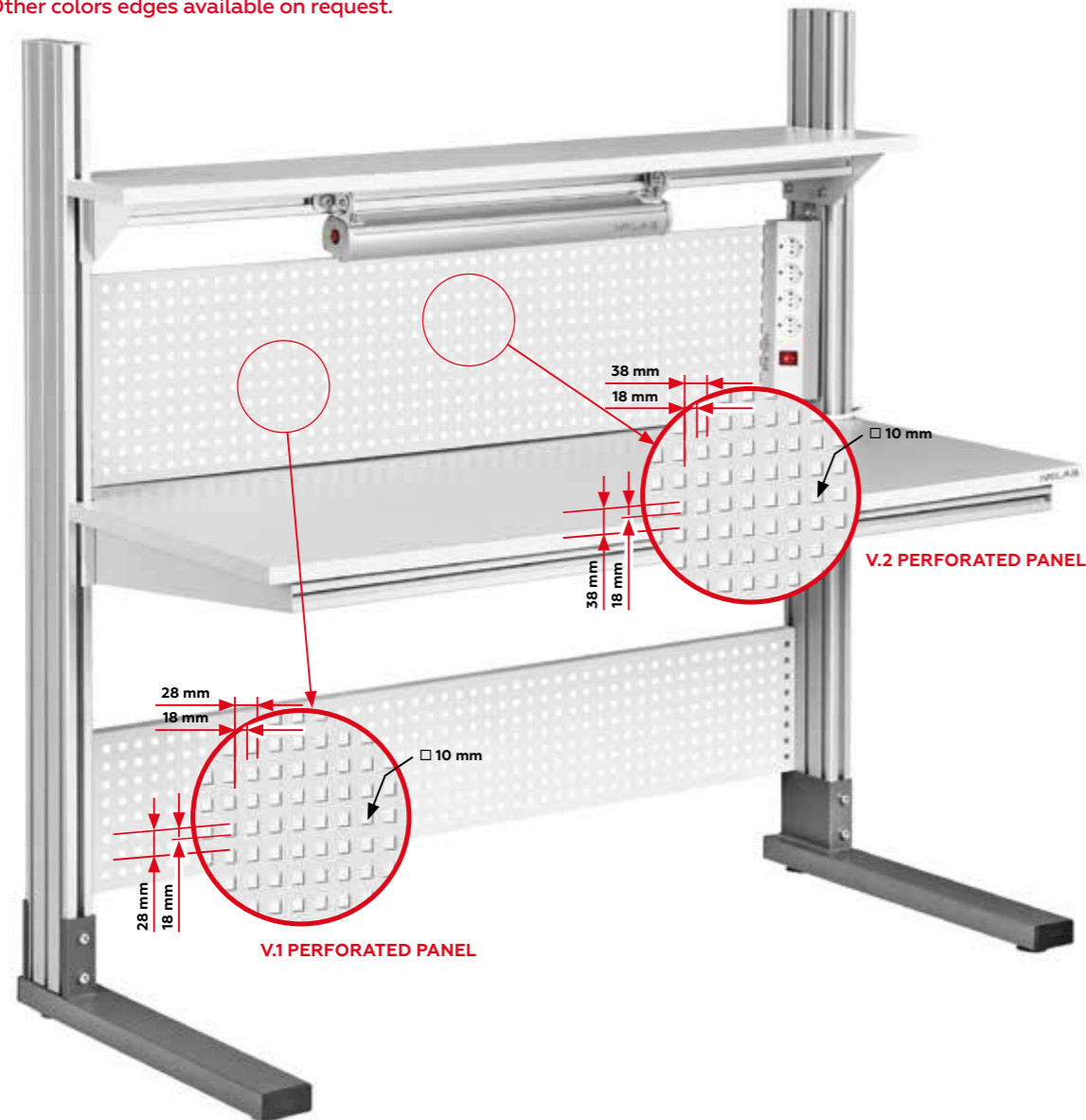
COMPLIANCE WITH EN-61340-5-1:2009 ESD STANDARD

We have extensive experience in developing, manufacturing and supplying ESD workstations, equipment and additional furnishing.

OUR CUSTOMERS



The edges of ESD version worktops and shelves are painted in dark gray (RAL 7012).
 Technical version worktops and shelves have edges painted in light gray (RAL 7035).
 Other colors edges available on request.



AL ALUMINIUM SERIES WORKBENCHES

AL ALUMINIUM series workbenches with lateral aluminum frames are stylish and ergonomic workbenches that can perfectly equip unspecified technical premises and educational facilities. ALUMINIUM series workbenches are distinguished by practical modular construction and compact size; they allow effective use of hall space.

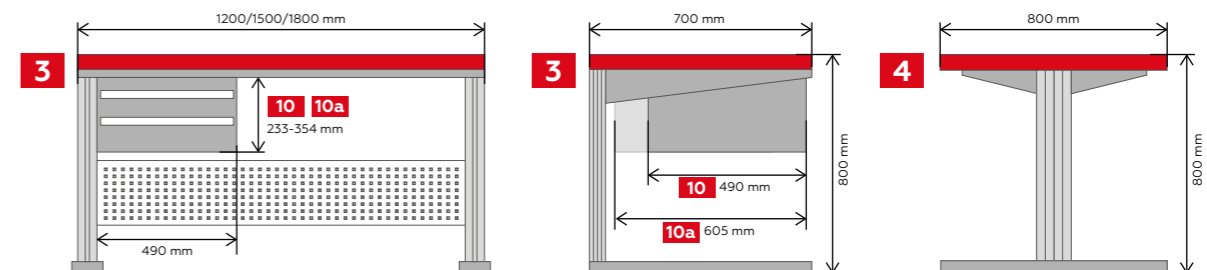
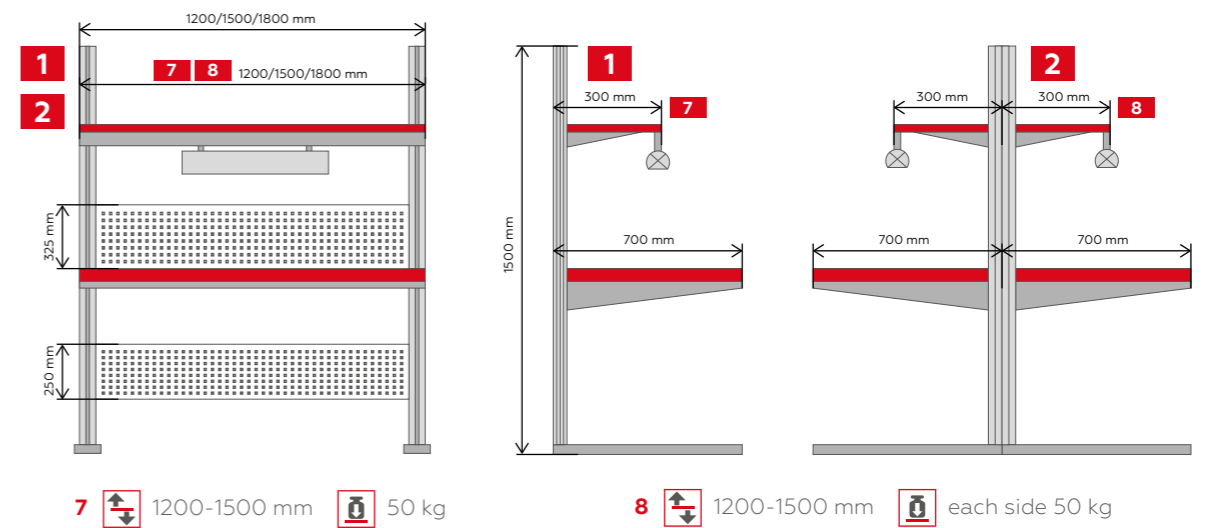
We offer four models of AL series workbenches:

- single workbench,
- ALUMINIUM double workbench,
- simplified Basic workbench,
- T-shape simplified workbench.

Tabletop thickness 25 mm (tech), 26 (esd) mm.



- 1: 600-1100 mm height, 200 kg load, 300°C temperature resistance
- 2: 600-1100 mm height, 200 kg load, 300°C temperature resistance
- 3: 200 kg load, 300°C temperature resistance
- 4: 200 kg load, 300°C temperature resistance



When placing an order, please choose whether ESD or technical version, and whether dark grey RAL 7012 or light grey RAL 7035 color required.

1. SINGLE WORKBENCH

Single workbench with lateral aluminum frames is supplied in a set with two perforated panels.

Code	Width	Type
NS.12.1.120.70.ESD	1200 mm	
NS.12.1.120.70	1200 mm	
NS.12.1.150.70.ESD	1500 mm	
NS.12.1.150.70	1500 mm	
NS.12.1.180.70.ESD	1800 mm	
NS.12.1.180.70	1800 mm	

2. DOUBLE WORKBENCH

Double-sided workbench with lateral aluminum frames is supplied in a set with two double perforated panels and two tabletops.

Code	Width	Type
NS.12.2.120.70.ESD	2x1200 mm	
NS.12.2.120.70	2x1200 mm	
NS.12.2.150.70.ESD	2x1500 mm	
NS.12.2.150.70	2x1500 mm	
NS.12.2.180.70.ESD	2x1800 mm	
NS.12.2.180.70	2x1800 mm	

3. AL BASIC WORKBENCH

Simplified ALUMINIUM series workbench without upper modules.

Code	Width	Type
NS.12.15.120.70.ESD	1200 mm	
NS.12.15.120.70	1200 mm	
NS.12.15.150.70.ESD	1500 mm	
NS.12.15.150.70	1500 mm	
NS.12.15.180.70.ESD	1800 mm	
NS.12.15.180.70	1800 mm	

3.1. BOX WITH PROTECTIVE BRUSHES ON BOX LID'S EDGES

Metal box with power panel is mounted to the back side of ALUMINIUM series universal workbench. The box's lid is covered with protective brushes to protect power panel from dust and cuttings. Can be also used as a worktop extension which makes the workbench depth 180 mm more. Power panel consists of 8 sockets in an aluminum case with protective contact and 3 m cable. Nominal load capacity: 10 A.

Available in technical and ESD versions.

Code	Width	Type
NS.12.16.120.ESD	1200 mm	
NS.12.16.120	1200 mm	
NS.12.16.150.ESD	1500 mm	
NS.12.16.150	1500 mm	
NS.12.16.180.ESD	1800 mm	
NS.12.16.180	1800 mm	

4. T-SHAPED WORKBENCH

Simplified ALUMINIUM series T-shaped workbench without the possibility of additional extensions.

Code	Width	Type
NS.12.17.120.80.ESD	1200 mm	
NS.12.17.120.80	1200 mm	
NS.12.17.150.80.ESD	1500 mm	
NS.12.17.150.80	1500 mm	
NS.12.17.180.80.ESD	1800 mm	
NS.12.17.180.80	1800 mm	

5. POWER PANEL

An aluminum case, protective contact, switch and 3 m cable. Can be equipped with additional sockets, fuses, phone jacks and earth leakage circuit breakers.

– Nominal load capacity: 10 A

Available with sockets matching all specific standards for Germany, UK, Czech republic, Switzerland, Italy, Israel and other countries on request.

5A. DOUBLE POWER PANEL

Two cases with four sockets, protective contact, switch and 3 m cable. Can be equipped with additional sockets, fuses, phone jacks and earth leakage circuit breakers.

– Nominal load capacity: 10 A

Available with sockets matching all specific standards for Germany, UK, Czech republic, Switzerland, Italy, Israel and other countries on request.

6. SIDE POWER PANEL

Four sockets with protective contact and 3 m cable in a small aluminum case. Side power panel can be mounted on any part of lateral aluminum frame. No extension is possible.

Code	NS.12.12
------	----------

7. MAIN SHELF

Main shelf for ALUMINIUM series single workbenches.

Code	Shelf width	Version	Type
NS.12.3.120.30.ESD	1200 mm	single	
NS.12.3.120.30	1200 mm	single	
NS.12.3.150.30.ESD	1500 mm	single	
NS.12.3.150.30	1500 mm	single	
NS.12.3.180.30.ESD	1800 mm	single	
NS.12.3.180.30	1800 mm	single	

8. DOUBLE MAIN SHELF

Main shelf for ALUMINIUM series double workbenches. 1200-1500 mm each side 50 kg.

Code	Shelf width	Version	Type
NS.12.4.120.30.ESD	1200 mm	double	
NS.12.4.120.30	1200 mm	double	
NS.12.4.150.30.ESD	1500 mm	double	
NS.12.4.150.30	1500 mm	double	
NS.12.4.180.30.ESD	1800 mm	double	
NS.12.4.180.30	1800 mm	double	

9. UNDER-SHELF LOCAL LED LIGHTING

Additional lighting can be mounted under the main shelf or attached to perforated panel. Suitable for any workbench equipped with upper modules. Angle adjustment 80°.

– 2 versions: 60 cm length and 90 cm length

– Color temperature 4700–5300 K

Provides at least 1000-lux illuminance at 1000 mm distance from the light source. Also available with dimmer.

Code	Lighting width	Dimmer
NS.1.11	600 mm	-
NS.1.12	900 mm	-
NS.1.17	600 mm	+
NS.1.18	900 mm	+

10. OPTIONAL DRAWER UNITS

10A. OPTIONAL DRAWER UNITS WITH REDUCED DEPTH

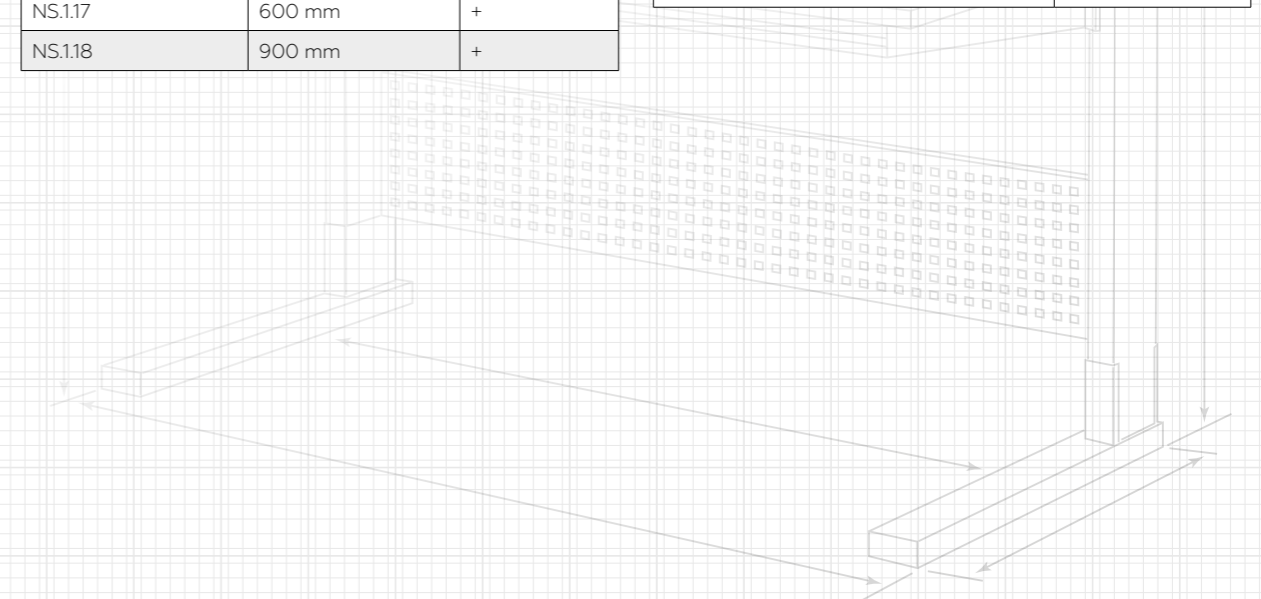
Storage solution for tools and components, no place on floor required. Those with reduced to 490 mm depth allow installing various additional equipment under a tabletop.

Code	Quantity of drawers	Depth	Type	Color
NS.16.27.7012.ESD	3	full		
NS.16.27.7012	3	full		
NS.16.27.7035.ESD	3	full		
NS.16.27.7035	3	full		
NS.16.28.7012.ESD	2	full		
NS.16.28.7012	2	full		
NS.16.28.7035.ESD	2	full		
NS.16.28.7035	2	full		
NS.16.29.7012.ESD	3	reduced		
NS.16.29.7012	3	reduced		
NS.16.29.7035.ESD	3	reduced		
NS.16.29.7035	3	reduced		
NS.16.30.7012.ESD	2	reduced		
NS.16.30.7012	2	reduced		
NS.16.30.7035.ESD	2	reduced		
NS.16.30.7035	2	reduced		

11. PERFORATED PANEL V.2

Perforated panel v.2 with 38 mm feed pitch. Panel can be equipped with different holders for additional equipment and tools storage.

Code	Width
NS.12.7120.EU	1200 mm
NS.12.7150.EU	1500 mm
NS.12.7180.EU	1800 mm





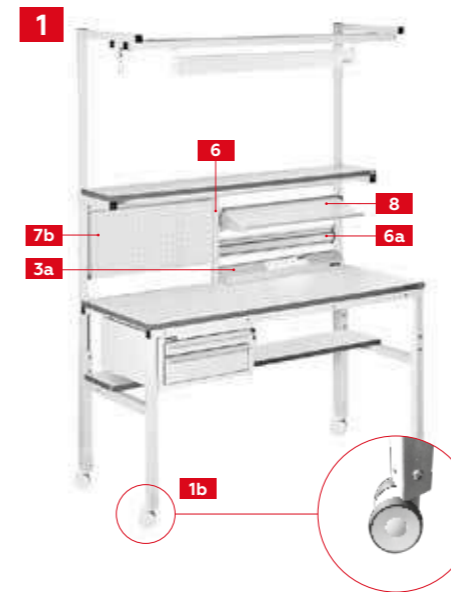
The edges of ESD version worktops and shelves are painted in dark gray (RAL 7012). Technical version worktops and shelves have edges painted in light gray (RAL 7035). Other colors edges available on request.

AG ARGENTUM

SERIES WORKBENCHES

These workbenches can be placed in a line to make a common working area with no gaps. Universal design allows fitting out the bench with additional equipment and drawer units.

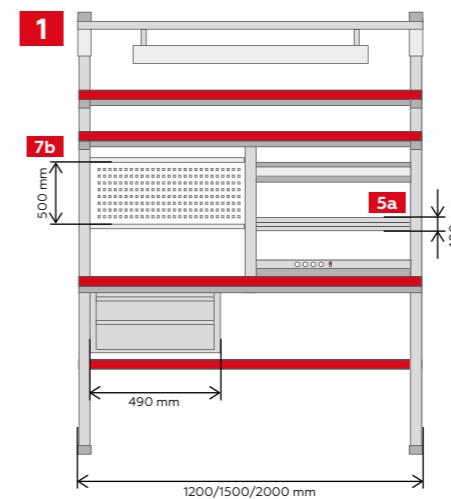
- Tabletop thickness 25 mm (tech), 26 (esd) mm
- Height adjustment of the working surface – 650-900 mm
- Load capacity of the bench – 300 kg



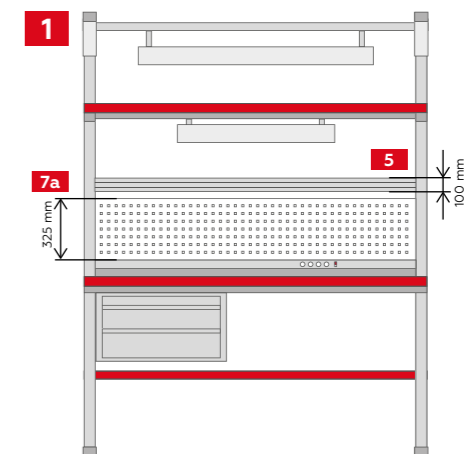
- 1 650–900 mm 300 kg 300°C
- 4 500-1350 mm from tabletop



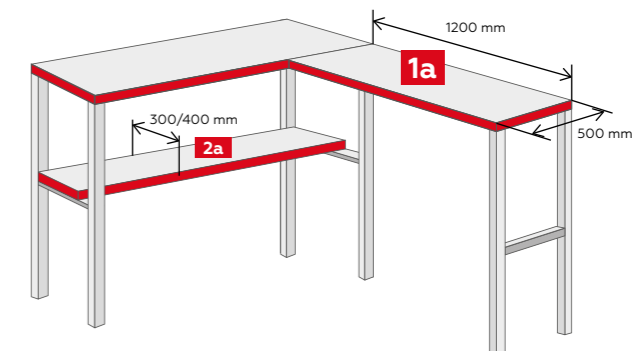
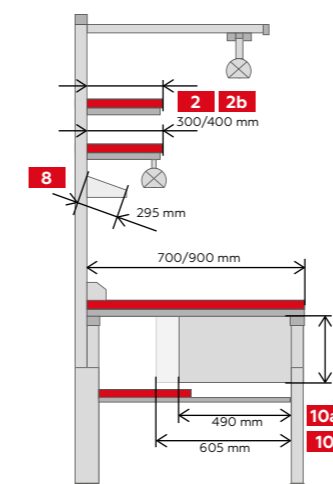
- 8 534/684/834×295 mm 50 kg
- 8a 1111/1411/1711×295 mm 50 kg



- 2, 2b 1000–1800 mm 50 kg 300/400 mm



- 5 1110/1410/1710×100 mm 10 kg
- 5a 530/680/830×100 mm 10 kg
- 7a 1190/1490/1790×325 mm 10 kg
- 7b 610/760/910×500 mm 10 kg



When placing an order, please choose whether ESD or technical version, and whether dark grey RAL 7012 or light grey RAL 7035 color required.

1. ARGENTUM SERIE WORKBENCH

These workbenches can be placed in a line to make a common working area with no gaps. Universal design allows fitting out the workplace with additional equipment and drawer units.

Table with columns: Code, Width, Depth, Color, Type. Lists various workbench models with dimensions and options.

1A. ARGENTUM SERIE CORNER WORKBENCH

Table with columns: Code, Dimensions, Color, Type. Lists corner workbench models.

1B. WORKBENCH WHEELS SET

Can be mounted to any Argentum workbench, allows making it movable. Plug, swivel supports and wheels shall be ordered separately.

Table with columns: Code, Item, Type. Lists wheel set components like plug, swivel supports, and wheels.

2. MAIN SHELF

Main shelf includes Rear racks.

Large table with columns: Code, Shelf width, Wb depth, Color, Type. Lists various main shelf and rack models.

2A. UNDERNEATH SHELF

Not compatible with 3-drawers Optional drawer units.

Table with columns: Code, Shelf width, Wb depth, Color, Type. Lists under-shelf models with dimensions.

2B. ADDITIONAL SHELF

Main shelf includes Rear racks.

Table with columns: Code, Shelf width, Wb depth, Color, Type. Lists additional shelf models with dimensions.

3. POWER PANEL

3A. HALF-SIZE POWER PANEL

An aluminum case/ half-size case with four sockets, protective contact, switch and 3 m cable. Can be equipped with additional sockets, fuses, phone jacks and earth leakage circuit breakers.

Available with sockets matching all specific standards for Germany, UK, Czech republic, Switzerland, Italy, Israel and other countries on request.

4. WORKBENCH LED LIGHTING

An aluminum case with LED lamp and light direction regulation. Color temperature 4700-5300 K. Provides at least 1200-lux illuminance at 1000 mm distance from the light source. 500-1350 mm from tabletop. Also available with dimmer.

Table with columns: Code, Width, Color. Lists LED lighting models with width and color options.

4A. UNDER-SHELF LOCAL LIGHTING

Additional lighting can be mounted under the main shelf or attached to perforated panel. Suitable for any workbench equipped with upper modules. Angle adjustment ±60°

- 2 versions: 60 cm length and 90 cm length
- Color temperature 4700–5300 K

Provides at least 1000-lux illuminance at 1000 mm distance from the light source. Also available with dimmer.

Code	Lighting width	Dimmer
NS.1.11	600 mm	-
NS.1.12	900 mm	-
NS.1.17	600 mm	+
NS.1.18	900 mm	+

5. BIN RAIL

5A. HALF-SIZE BIN RAIL

Aluminum rail for bin storage placed along workbench length.

Code	Wb width	Color	Size
NS.2.31.120.7012	1200 mm		full
NS.2.31.120.7035	1200 mm		full
NS.2.31.150.7012	1500 mm		full
NS.2.31.150.7035	1500 mm		full
NS.2.31.180.7012	1800 mm		full
NS.2.31.180.7035	1800 mm		full
NS.2.33.120.7012	1200 mm		half-size
NS.2.33.120.7035	1200 mm		half-size
NS.2.33.150.7012	1500 mm		half-size
NS.2.33.150.7035	1500 mm		half-size
NS.2.33.180.7012	1800 mm		half-size
NS.2.33.180.7035	1800 mm		half-size

6. MIDDLE UPRIGHT, TECHNICAL UPRIGHTS FOR ALL ITEMS

Required to hold any ½ item. Three sizes to match standard workbench width.

Code	Wb width	Color
NS.3.5.120.7012	1200 mm	
NS.3.5.120.7035	1200 mm	
NS.3.5.150.7012	1500 mm	
NS.3.5.150.7035	1500 mm	
NS.3.5.180.7012	1800 mm	
NS.3.5.180.7035	1800 mm	

7A. PERFORATED PANEL HALF-SIZE

Panel can be equipped with different holders for additional equipment and tools storage.

Code	Wb width	Color	Type
NS.3.6.120.7012	1200 mm		full
NS.3.6.120.7035	1200 mm		full
NS.3.6.150.7012	1500 mm		full
NS.3.6.150.7035	1500 mm		full
NS.3.6.180.7012	1800 mm		full
NS.3.6.180.7035	1800 mm		full
NS.3.7.120.7012	1200 mm		half-size
NS.3.7.120.7035	1200 mm		half-size
NS.3.7.150.7012	1500 mm		half-size
NS.3.7.150.7035	1500 mm		half-size
NS.3.7.180.7012	1800 mm		half-size
NS.3.7.180.7035	1800 mm		half-size

7B. PERFORATED PANEL V.2

Perforated panel v.2 with 38 mm feed pitch. Panel can be equipped with different holders for additional equipment and tools storage.

Code	Wb width	Color	Type
NS.3.9.120.7035.EU	1200 mm		full
NS.3.9.150.7035.EU	1500 mm		full
NS.3.9.180.7035.EU	1800 mm		full
NS.3.9.120.7012.EU	1200 mm		full
NS.3.9.150.7012.EU	1500 mm		full
NS.3.9.180.7012.EU	1800 mm		full
NS.3.10.120.7035.EU	1200 mm		half-size
NS.3.10.150.7035.EU	1500 mm		half-size
NS.3.10.180.7035.EU	1800 mm		half-size
NS.3.10.120.7012.EU	1200 mm		half-size
NS.3.10.150.7012.EU	1500 mm		half-size
NS.3.10.180.7012.EU	1800 mm		half-size

8. SLOPED SHELF

8A. FULL-SIZE SLOPED SHELF

Sloped shelf with 10-55° angle adjustment provides comfort monitoring of working equipment.

Code	Width	Size	Type	Color
NS.1.36.120.7012.ESD	1200 mm	half-size	⚠	
NS.1.36.120.7012	1200 mm	half-size	⚙	
NS.1.36.120.7035.ESD	1200 mm	half-size	⚠	
NS.1.36.120.7035	1200 mm	half-size	⚙	
NS.1.36.150.7012.ESD	1500 mm	half-size	⚠	
NS.1.36.150.7012	1500 mm	half-size	⚙	
NS.1.36.150.7035.ESD	1500 mm	half-size	⚠	
NS.1.36.150.7035	1500 mm	half-size	⚙	
NS.1.36.180.7012.ESD	1800 mm	half-size	⚠	
NS.1.36.180.7012	1800 mm	half-size	⚙	
NS.1.36.180.7035.ESD	1800 mm	half-size	⚠	
NS.1.36.180.7035	1800 mm	half-size	⚙	
NS.1.37.120.7012.ESD	1200 mm	full-size	⚠	
NS.1.37.120.7012	1200 mm	full-size	⚙	
NS.1.37.120.7035.ESD	1200 mm	full-size	⚠	
NS.1.37.120.7035	1200 mm	full-size	⚙	
NS.1.37.150.7012.ESD	1500 mm	full-size	⚠	
NS.1.37.150.7012	1500 mm	full-size	⚙	
NS.1.37.150.7035.ESD	1500 mm	full-size	⚠	
NS.1.37.150.7035	1500 mm	full-size	⚙	
NS.1.37.180.7012.ESD	1800 mm	full-size	⚠	
NS.1.37.180.7012	1800 mm	full-size	⚙	
NS.1.37.180.7035.ESD	1800 mm	full-size	⚠	
NS.1.37.180.7035	1800 mm	full-size	⚙	

9. IP CANTILEVER

Upper slat for fastening drawings, additional lighting and instruments.

Code	Width	Color
NS.4.41.120.7012	1200 mm	
NS.4.41.120.7035	1200 mm	
NS.4.41.150.7012	1500 mm	
NS.4.41.150.7035	1500 mm	
NS.4.41.180.7012	1800 mm	
NS.4.41.180.7035	1800 mm	

10. OPTIONAL DRAWER UNITS

10A. ADDITIONAL DRAWERS WITH REDUCED DEPTH

Storage solution for tools and components, no place on floor required. Those with reduced to 490 mm depth allow installing various additional equipment under a tabletop. Drawer unit can be placed either on left or right side.

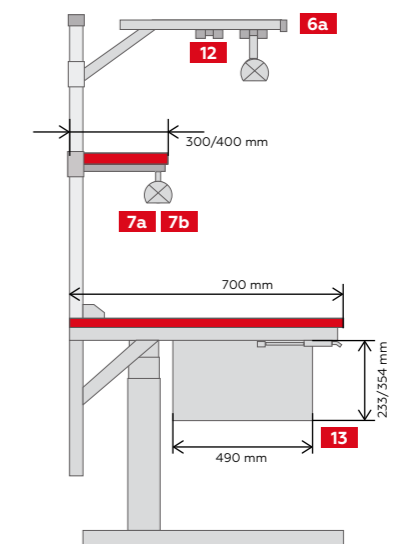
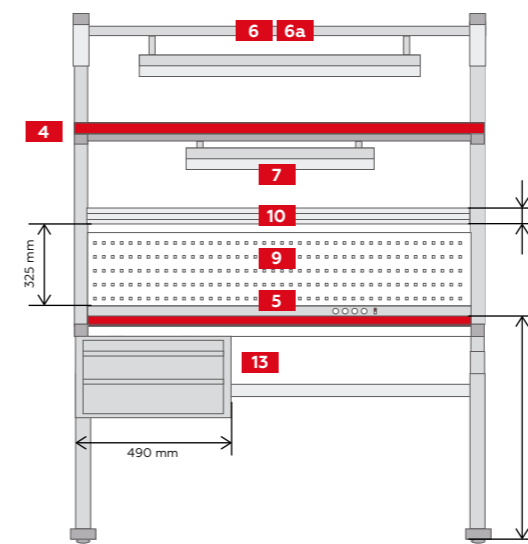
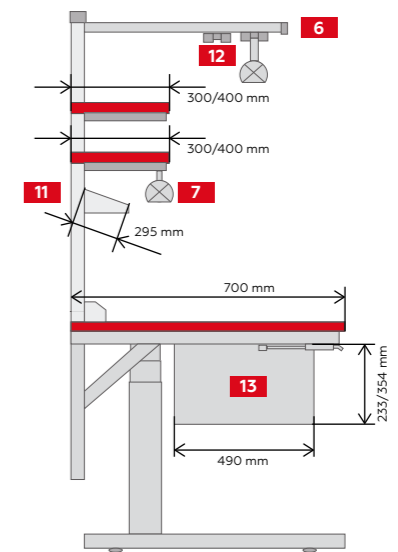
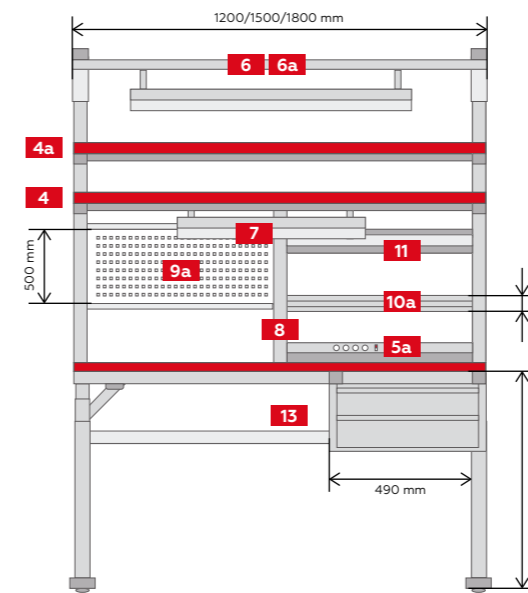
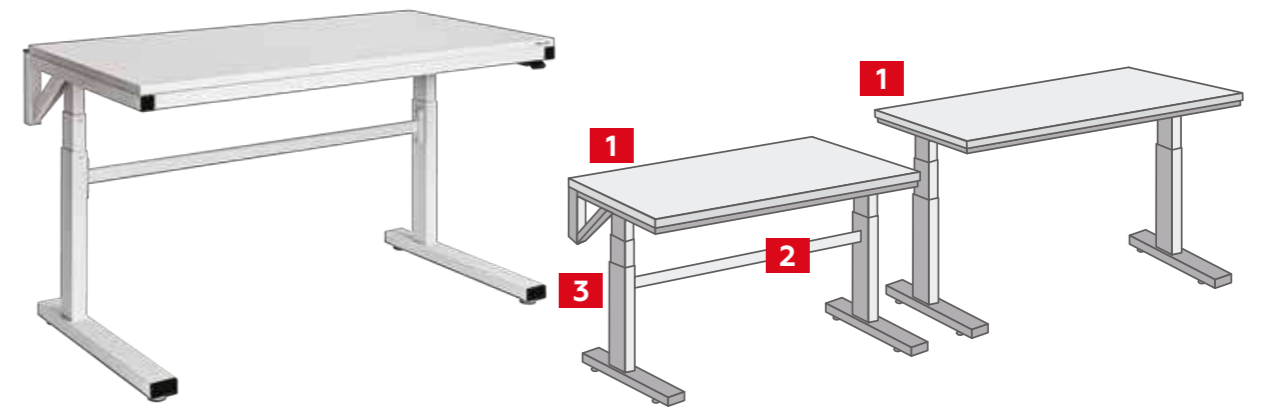
Code	Quantity of drawers	Depth	Type	Color
NS.16.27.7012.ESD	3	full	⚠	
NS.16.27.7012	3	full	⚙	
NS.16.27.7035.ESD	3	full	⚠	
NS.16.27.7035	3	full	⚙	
NS.16.28.7012.ESD	2	full	⚠	
NS.16.28.7012	2	full	⚙	
NS.16.28.7035.ESD	2	full	⚠	
NS.16.28.7035	2	full	⚙	
NS.16.29.7012.ESD	3	reduced	⚠	
NS.16.29.7012	3	reduced	⚙	
NS.16.29.7035.ESD	3	reduced	⚠	
NS.16.29.7035	3	reduced	⚙	
NS.16.30.7012.ESD	2	reduced	⚠	
NS.16.30.7012	2	reduced	⚙	
NS.16.30.7035.ESD	2	reduced	⚠	
NS.16.30.7035	2	reduced	⚙	

The edges of ESD version worktops and shelves are painted in dark gray (RAL 7012). Technical version worktops and shelves have edges painted in light gray (RAL 7035). Other colors edges available on request.



AURUM ELECTRIC SERIES WORKBENCHES

Aurum Electric workbenches are equipped with high power quick and silent electric actuators to adjust the height of the tabletop. This ergonomic sit-stand workstation perfectly supports any ergonomic requirements of the operator in assembly work, R&D and industrial applications. The workbench withstands high loads and is stable at all heights.



1. AURUM ELECTRIC WORKBENCH

Aurum Electric workbenches are equipped with high power quick and silent electric actuators to adjust the height of the tabletop.

- Max. speed 38mm/s unloaded.
- Stroke length – 650 mm.
- Duty cycle: 10% – 2 minutes of continuous use at full load, followed by 18 minutes of pause.

The workbench is supplied with Desk panel and Desk control application.

Desk Panel DPG1M The Desk Panel DPG1M is a compact desk panel in the DPG series. It features Bluetooth® connection, two favorite positions and a reminder via an LED to remind the users to use their desk. The DPG1M is activated by tilting the desk panel in the same direction as the desk is intended to drive.

Desk Control™ App The Desk Control™ App is developed for users of sit-stand desks. The app allows the users to connect to their desks via Bluetooth® wireless technology and will now remind the user to use their sit-stand desks.

Code	Size	Color	Type
NS.10.5.120.70.7035.ESD	1200x700 mm		
NS.10.5.120.70.7035	1200x700 mm		
NS.10.5.150.70.7035.ESD	1500x700 mm		
NS.10.5.150.70.7035	1500x700 mm		
NS.10.5.180.70.7035.ESD	1800x700 mm		
NS.10.5.180.70.7035	1800x700 mm		

2. REINFORCING CROSSBAR

Reinforcing crossbar for additional rigidity of workbench.

Code	For workbench size	Color
NS.10.8.120.7035	1200x700 mm	
NS.10.8.150.7035	1500x700 mm	
NS.10.8.180.7035	1800x700 mm	

3. REAR RACK HOLDERS NS.10.6.7035

Additional holders for rear racks allowing assembly of upper extensions.

4. MAIN SHELF

Rear racks included.

Code	Width	Depth	Color	Type
NS.1.24.120.40.7035.ESD	1200 mm	300 mm		
NS.1.24.120.40.7035	1200 mm	300 mm		
NS.1.24.150.40.7035.ESD	1500 mm	300 mm		
NS.1.24.150.40.7035	1500 mm	300 mm		
NS.1.24.180.40.7035.ESD	1800 mm	300 mm		
NS.1.24.180.40.7035	1800 mm	300 mm		
NS.1.25.120.40.7035.ESD	1200 mm	400 mm		
NS.1.25.120.40.7035	1200 mm	400 mm		
NS.1.25.150.40.7035.ESD	1500 mm	400 mm		
NS.1.25.150.40.7035	1500 mm	400 mm		
NS.1.25.180.40.7035.ESD	1800 mm	400 mm		
NS.1.25.180.40.7035	1800 mm	400 mm		

4A. ADDITIONAL SHELF

Requires Main shelf to be installed. Rear racks excluded.

Code	Width	Depth	Color	Type
NS.1.26.120.30.7035.ESD	1200 mm	300 mm		
NS.1.26.120.30.7035	1200 mm	300 mm		
NS.1.26.150.30.7035.ESD	1500 mm	300 mm		
NS.1.26.150.30.7035	1500 mm	300 mm		
NS.1.26.180.30.7035.ESD	1800 mm	300 mm		
NS.1.26.180.30.7035	1800 mm	300 mm		
NS.1.26.120.40.7035.ESD	1200 mm	400 mm		
NS.1.26.120.40.7035	1200 mm	400 mm		
NS.1.26.150.40.7035.ESD	1500 mm	400 mm		
NS.1.26.150.40.7035	1500 mm	400 mm		
NS.1.26.180.40.7035.ESD	1800 mm	400 mm		
NS.1.26.180.40.7035	1800 mm	400 mm		

5. POWER PANEL / 5A. ½ POWER PANEL

An aluminum case/ half-size case with four sockets, protective contact, switch and 3 m cable. Can be equipped with additional sockets, fuses, phone jacks and earth leakage circuit breakers.

– Nominal load capacity: 10 A
Available with sockets matching all specific standards for Germany, UK, Czech republic, Switzerland, Italy, Israel and other countries on request.

6. LED LIGHTING V.1

An aluminum case with LED lamp and light direction regulation. Color temperature 4700–5300 K Provides at least 1200-lux illuminance at 1000 mm distance from the light source. Attached to a L-shape holder.

Code	Width	Color
NS.1.14.120.7035	1200 mm	
NS.1.14.150.7035	1500 mm	
NS.1.14.180.7035	1800 mm	

6A. LED LIGHTING V.2

An aluminum case with LED lamp and light direction regulation. Color temperature 4700–5300 K Provides at least 1200-lux illuminance at 1000 mm distance from the light source. Attached to a V-shape holder.

Code	Width	Color
NS.1.15.120.7035	1200 mm	
NS.1.15.150.7035	1500 mm	
NS.1.15.180.7035	1800 mm	

7. UNDER-SHELF LOCAL LIGHTING

Additional lighting can be mounted under the main shelf or attached to perforated panel. Suitable for any workbench equipped with upper modules. Angle adjustment 80. 2 versions: 60 cm length and 90 cm length.

Code	Lighting width	Dimmer
NS.1.11	600 mm	-
NS.1.12	900 mm	-
NS.1.17	600 mm	+
NS.1.18	900 mm	+

8. MIDDLE UPRIGHT FOR ALL ITEMS

Required to hold any item. Three sizes to match standard workbench width.

Code	Wb width	Color
NS.3.5.120.7035	1200 mm	
NS.3.5.150.7035	1500 mm	
NS.3.5.180.7035	1800 mm	

9. PERFORATED PANEL V.1

9A. HALF-SIZE PERFORATED PANEL V.1

Perforated panel v.2 with 28 mm feed pitch. Panel can be equipped with different holders for additional equipment and tools storage.

Code	Wb width	Color	Size
NS.3.6.120.7035	1200 mm		full
NS.3.6.150.7035	1500 mm		full
NS.3.6.180.7035	1800 mm		full
NS.3.7.120.7035	1200 mm		Half-size
NS.3.7.150.7035	1500 mm		Half-size
NS.3.7.180.7035	1800 mm		Half-size

10. PERFORATED PANEL V.2

10A. HALF-SIZE PERFORATED PANEL V.1

Perforated panel v.2 with 38 mm feed pitch. Panel can be equipped with different holders for additional equipment and tools storage.

Code	Wb width	Color	Size
NS.3.9.120.7035.EU	1200 mm		Full-size
NS.3.9.150.7035.EU	1500 mm		Full-size
NS.3.9.180.7035.EU	1800 mm		Full-size
NS.3.10.120.7035.EU	1200 mm		Half-size
NS.3.10.150.7035.EU	1500 mm		Half-size
NS.3.10.180.7035.EU	1800 mm		Half-size

10. BIN RAIL

10A. HALF-SIZE BIN RAIL

Aluminum rail for bin storage placed along workbench length.

Code	Wb width	Color	Size
NS.2.31.120.7035	1200 mm		full
NS.2.31.150.7035	1500 mm		full
NS.2.31.180.7035	1800 mm		full
NS.2.33.120.7035	1200 mm		Half-size
NS.2.33.150.7035	1500 mm		Half-size
NS.2.33.180.7035	1800 mm		Half-size

11. HALF-SIZE SLOPED SHELF

11A. FULL-SIZE SLOPED SHELF

Full-size/Half-sized shelf with 10-55° angle adjustment provides comfort monitoring of working equipment.

Sloped shelf with 10-55° angle adjustment provides comfort monitoring of working equipment.

Code	Width	Depth	Type	Color
NS.1.36.120.7035.ESD	1200 mm	Half-size		
NS.1.36.120.7035	1200 mm	Half-size		
NS.1.36.150.7035.ESD	1500 mm	Half-size		
NS.1.36.150.7035	1500 mm	Half-size		
NS.1.36.180.7035.ESD	1800 mm	Half-size		
NS.1.36.180.7035	1800 mm	Half-size		
NS.1.37.120.7035.ESD	1200 mm	Full-size		
NS.1.37.120.7035	1200 mm	Full-size		
NS.1.37.150.7035.ESD	1500 mm	Full-size		
NS.1.37.150.7035	1500 mm	Full-size		
NS.1.37.180.7035.ESD	1800 mm	Full-size		
NS.1.37.180.7035	1800 mm	Full-size		

12. CANTILEVER

Upper slat for fastening drawings, additional lighting and instruments.

Code	Width	Color
NS.4.41.120.7035	1200 mm	
NS.4.41.150.7035	1500 mm	
NS.4.41.180.7035	1800 mm	

13. OPTIONAL DRAWER UNITS WITH REDUCED DEPTH

Storage solution for tools and components with depth of 490 mm. Two or three drawers versions available.

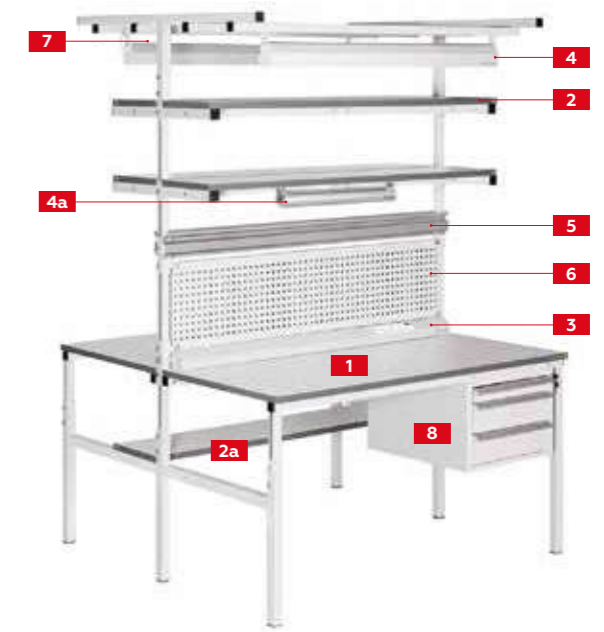
Code	Quantity of drawers	Depth	Type	Color
NS.16.29.7035.ESD	3	reduced		
NS.16.29.7035	3	reduced		
NS.16.30.7035.ESD	2	reduced		
NS.16.30.7035	2	reduced		

14. THE DESK SENSOR™ 1 (DS1)

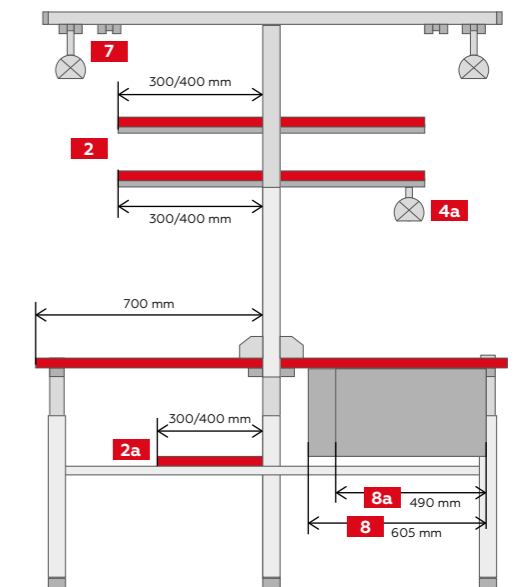
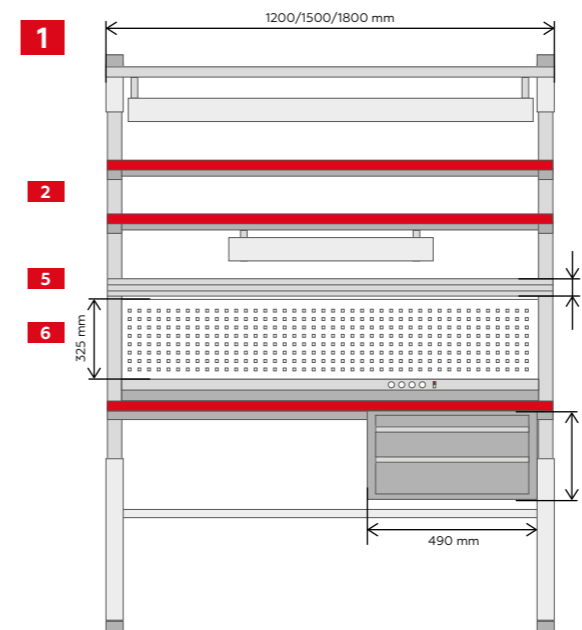
The Desk Sensor™ 1 is a new Anti-Collision™ solution which can limit material damage to a desk or an object if a collision occurs during driving of the desk.

When placing an order, please choose whether ESD or technical version, and whether dark grey RAL 7012 or light grey RAL 7035 color required.

The edges of ESD version worktops and shelves are painted in dark gray (RAL 7012).
 Technical version worktops and shelves have edges painted in light gray (RAL 7035).
 Other colors edges available on request.



- 1 720-905 mm 300°C each side 300 kg
- 4 500-1350 mm from tabletop



- 2 1100-1800 mm 300/400 mm
 - 2a 300/400 mm
 - 5 2x(1112/1412/1712)x100 mm
 - 6 2x(1112/1412/1712)x325 mm
- 50 kg

OS OSMIUM

SERIES WORKBENCHES

Double-sided workbench includes open frame supports and work surface thus allows effective use of space.

When placing an order, please choose whether ESD or technical version, and whether dark grey RAL 7012 or light grey RAL 7035 color required.

1. OSMIUM SERIES WORKBENCH

Basic configuration includes Rear racks and 300 mm shelves for each side of the workstation. Tabletop thickness 25 mm (tech), 26 (esd) mm.

Code	Width	Color	Type
NS.5.4.120.70.7012.ESD	2x1200 mm		⚠
NS.5.4.120.70.7035.ESD	2x1200 mm		⚠
NS.5.4.120.70.7012	2x1200 mm		⚙
NS.5.4.120.70.7035	2x1200 mm		⚙
NS.5.4.150.70.7012.ESD	2x1500 mm		⚠
NS.5.4.150.70.7035.ESD	2x1500 mm		⚠
NS.5.4.150.70.7012	2x1500 mm		⚙
NS.5.4.150.70.7035	2x1500 mm		⚙
NS.5.4.180.70.7012.ESD	2x1800 mm		⚠
NS.5.4.180.70.7035.ESD	2x1800 mm		⚠
NS.5.4.180.70.7012	2x1800 mm		⚙
NS.5.4.180.70.7035	2x1800 mm		⚙

2. ADDITIONAL SHELF

Should be mounted to Rear racks of the workbench.

Code	Shelf width	Wb depth	Color	Type
NS.1.30.120.30.7012.ESD	2x1200 mm	300 mm		⚠
NS.1.30.120.30.7035.ESD	2x1200 mm	300 mm		⚠
NS.1.30.120.30.7012	2x1200 mm	300 mm		⚙
NS.1.30.120.30.7035	2x1200 mm	300 mm		⚙
NS.1.30.150.30.7012.ESD	2x1500 mm	300 mm		⚠
NS.1.30.150.30.7035.ESD	2x1500 mm	300 mm		⚠
NS.1.30.150.30.7012	2x1500 mm	300 mm		⚙
NS.1.30.150.30.7035	2x1500 mm	300 mm		⚙
NS.1.30.180.30.7012.ESD	2x1800 mm	300 mm		⚠
NS.1.30.180.30.7035.ESD	2x1800 mm	300 mm		⚠
NS.1.30.180.30.7012	2x1800 mm	300 mm		⚙
NS.1.30.180.30.7035	2x1800 mm	300 mm		⚙
NS.1.30.120.40.7012.ESD	2x1200 mm	400 mm		⚠
NS.1.30.120.40.7035.ESD	2x1200 mm	400 mm		⚠
NS.1.30.120.40.7012	2x1200 mm	400 mm		⚙
NS.1.30.120.40.7035	2x1200 mm	400 mm		⚙
NS.1.30.150.40.7012.ESD	2x1500 mm	400 mm		⚠
NS.1.30.150.40.7035.ESD	2x1500 mm	400 mm		⚠
NS.1.30.150.40.7012	2x1500 mm	400 mm		⚙
NS.1.30.150.40.7035	2x1500 mm	400 mm		⚙
NS.1.30.180.40.7012.ESD	2x1800 mm	400 mm		⚠
NS.1.30.180.40.7035.ESD	2x1800 mm	400 mm		⚠
NS.1.30.180.40.7012	2x1800 mm	400 mm		⚙
NS.1.30.180.40.7035	2x1800 mm	400 mm		⚙

2A. UNDERNEATH SHELF

Not compatible with standard Optional drawer units.

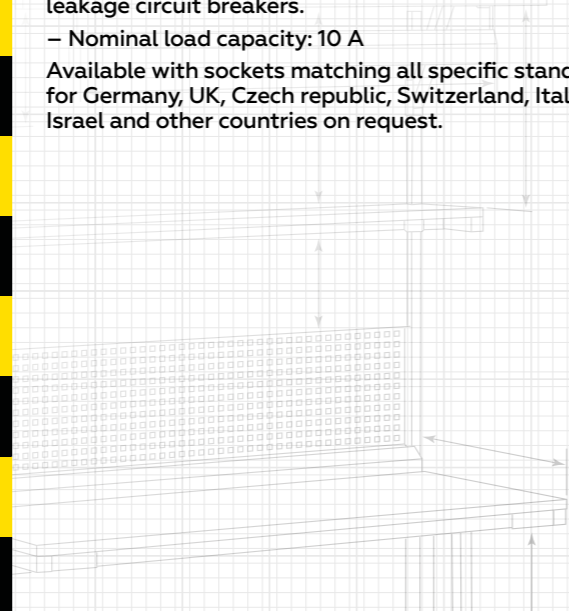
Code	Shelf width	Wb depth	Color	Type
NS.1.28.120.30.7012.ESD	1200 mm	300 mm		⚠
NS.1.28.120.30.7012	1200 mm	300 mm		⚙
NS.1.28.120.30.7035.ESD	1200 mm	300 mm		⚠
NS.1.28.120.30.7035	1200 mm	300 mm		⚙
NS.1.28.150.30.7012.ESD	1500 mm	300 mm		⚠
NS.1.28.150.30.7012	1500 mm	300 mm		⚙
NS.1.28.150.30.7035.ESD	1500 mm	300 mm		⚠
NS.1.28.150.30.7035	1500 mm	300 mm		⚙
NS.1.28.180.30.7012.ESD	1800 mm	300 mm		⚠
NS.1.28.180.30.7012	1800 mm	300 mm		⚙
NS.1.28.180.30.7035.ESD	1800 mm	300 mm		⚠
NS.1.28.180.30.7035	1800 mm	300 mm		⚙
NS.1.29.120.40.7012.ESD	1200 mm	400 mm		⚠
NS.1.29.120.40.7012	1200 mm	400 mm		⚙
NS.1.29.120.40.7035.ESD	1200 mm	400 mm		⚠
NS.1.29.120.40.7035	1200 mm	400 mm		⚙
NS.1.29.150.40.7012.ESD	1500 mm	400 mm		⚠
NS.1.29.150.40.7012	1500 mm	400 mm		⚙
NS.1.29.150.40.7035.ESD	1500 mm	400 mm		⚠
NS.1.29.150.40.7035	1500 mm	400 mm		⚙
NS.1.29.180.40.7012.ESD	1800 mm	400 mm		⚠
NS.1.29.180.40.7012	1800 mm	400 mm		⚙
NS.1.29.180.40.7035.ESD	1800 mm	400 mm		⚠
NS.1.29.180.40.7035	1800 mm	400 mm		⚙

3. DOUBLE POWER PANEL

Two aluminum cases each with four sockets, protective contact, switch and 3 m cable. Can be equipped with additional sockets, fuses, phone jacks and earth leakage circuit breakers.

– Nominal load capacity: 10 A

Available with sockets matching all specific standards for Germany, UK, Czech republic, Switzerland, Italy, Israel and other countries on request.



4. DOUBLE WORKBENCH LED LIGHTING

T-shape rack with two aluminum cases each with LED lamp and light direction regulation. Color temperature 4700-5300 K Provides at least 1200-lux illuminance at 1000 mm distance from the light source. 500-1350 from tabletop. Also available with dimmer.

Code	Width	Color
NS.1.16.120.7012	2x1200 mm	
NS.1.16.120.7035	2x1200 mm	
NS.1.16.150.7012	2x1500 mm	
NS.1.16.150.7035	2x1500 mm	
NS.1.16.180.7012	2x1800 mm	
NS.1.16.180.7035	2x1800 mm	

4A. UNDER-SHELF LOCAL LIGHTING

Additional lighting can be mounted under the main shelf or attached to perforated panel. Suitable for any workbench equipped with upper modules. Angle adjustment 80° – 2 versions: 60 cm length and 90 cm length – Color temperature 4700-5300 K. Provides at least 1000-lux illuminance at 1000 mm distance from the light source. Also available with dimmer.

Code	Lighting width	Dimmer
NS.1.11	600 mm	-
NS.1.12	900 mm	-
NS.1.17	600 mm	+
NS.1.18	900 mm	+

5. DOUBLE BIN RAIL

Double aluminum rail for storage bins is placed along workbench length.

Code	Wb width	Color
NS.2.32.120.7012	2x1200 mm	
NS.2.32.120.7035	2x1200 mm	
NS.2.32.150.7012	2x1500 mm	
NS.2.32.150.7035	2x1500 mm	
NS.2.32.180.7012	2x1800 mm	
NS.2.32.180.7035	2x1800 mm	

6. DOUBLE PERFORATED PANEL V.1

The panel can be equipped by different holders for additional equipment and tools storage.

Code	Wb width	Color
NS.3.8.120.7012	2x1200 mm	
NS.3.8.120.7035	2x1200 mm	
NS.3.8.150.7012	2x1500 mm	
NS.3.8.150.7035	2x1500 mm	
NS.3.8.180.7012	2x1800 mm	
NS.3.8.180.7035	2x1800 mm	

6A. DOUBLE PERFORATED PANEL V.2

Perforated panel v.2 with 38 mm feed pitch. Panel can be equipped with different holders for additional equipment and tools storage.

Code	Wb width	Color
NS.3.11.120.7035.EU	1200 mm	
NS.3.11.150.7035.EU	1500 mm	
NS.3.11.180.7035.EU	1800 mm	
NS.3.11.120.7012.EU	1200 mm	
NS.3.11.150.7012.EU	1500 mm	
NS.3.11.180.7012.EU	1800 mm	

7. CANTILEVER

Upper slat for fastening drawings, additional lighting and instruments.

Code	Wb width	Color
NS.4.41.120.7012	1200 mm	
NS.4.41.120.7035	1200 mm	
NS.4.41.150.7012	1500 mm	
NS.4.41.150.7035	1500 mm	
NS.4.41.180.7012	1800 mm	
NS.4.41.180.7035	1800 mm	

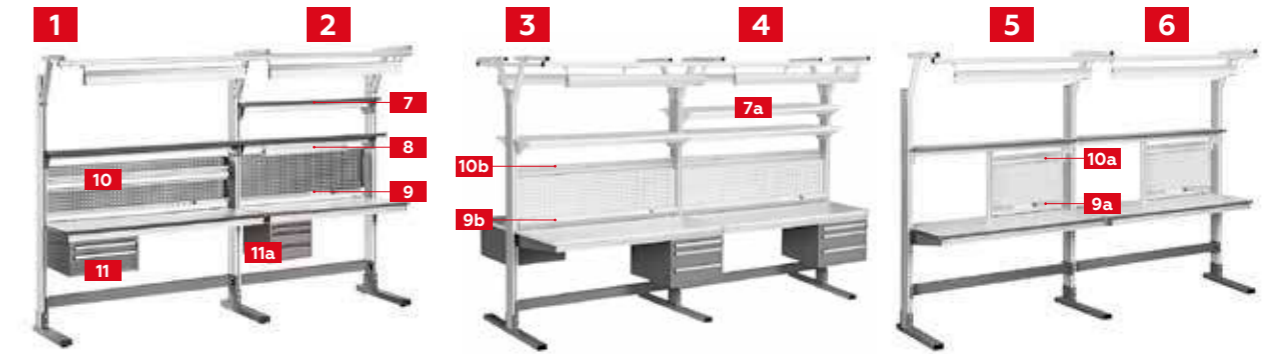
8. OPTIONAL DRAWER UNITS

8A. OPTIONAL DRAWER UNITS WITH REDUCED DEPTH

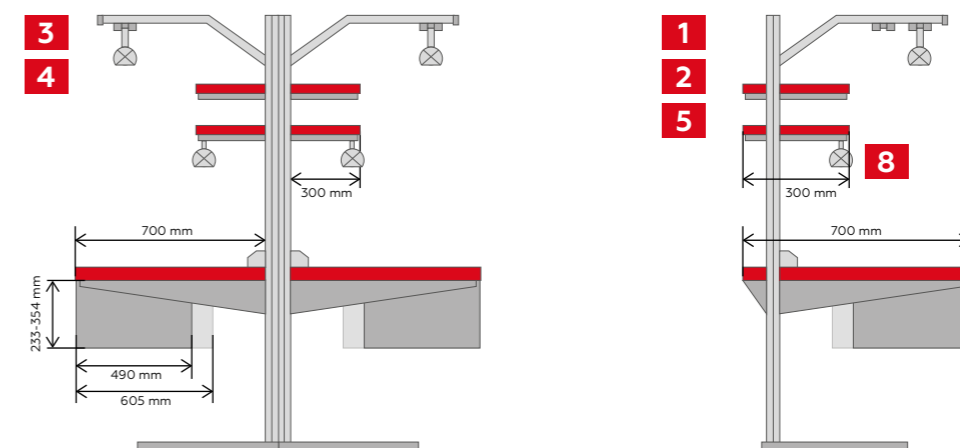
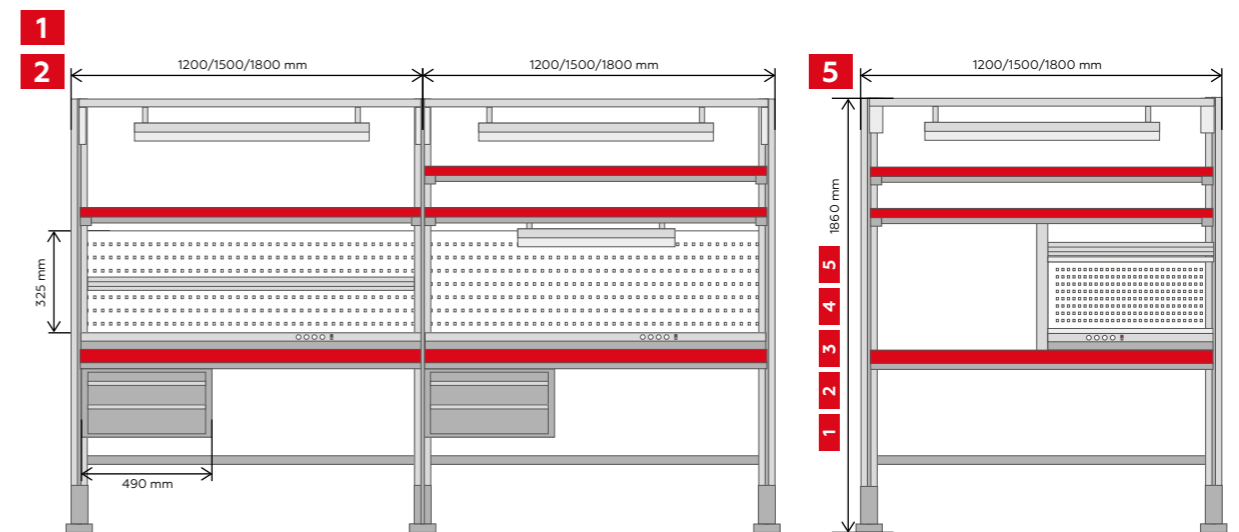
Storage solution for tools and components, no place on floor required. Those with reduced to 490 mm depth allow installing various additional equipment under a tabletop. Drawer unit can be placed either on left or right side.

Code	Quantity of drawers	Depth	Type	Color
NS.16.27.7012.ESD	3	full	⚠	
NS.16.27.7012	3	full	⚙	
NS.16.27.7035.ESD	3	full	⚠	
NS.16.27.7035	3	full	⚙	
NS.16.28.7012.ESD	2	full	⚠	
NS.16.28.7012	2	full	⚙	
NS.16.28.7035.ESD	2	full	⚠	
NS.16.28.7035	2	full	⚙	
NS.16.29.7012.ESD	3	reduced	⚠	
NS.16.29.7012	3	reduced	⚙	
NS.16.29.7035.ESD	3	reduced	⚠	
NS.16.29.7035	3	reduced	⚙	
NS.16.30.7012.ESD	2	reduced	⚠	
NS.16.30.7012	2	reduced	⚙	
NS.16.30.7035.ESD	2	reduced	⚠	
NS.16.30.7035	2	reduced	⚙	

The edges of ESD version worktops and shelves are painted in dark gray (RAL 7012).
 Technical version worktops and shelves have edges painted in light gray (RAL 7035).
 Other colors edges available on request.



- 1-6 each tabletop 200 kg
- 7, 7a 1000-1850 mm 100 kg 300°C
- 10 1147/1447/1747x100 mm 10 kg
- 10a 547/697/847x100 mm 10 kg
- 10b 2x(1147/1447/1747)x100 mm 10 kg



PT PLATINUM

SERIES WORKBENCHES

PLATINUM workbenches are distinguished by elegant design, advanced ergonomics and convenient system of height adjustment. Several PLATINUM series workbenches can be placed in an inseparable line where two tabletops are held by side lateral frames and share those in the middle. Standard PLATINUM workbenches are powder-coated in dark grey color (RAL 7012) for lower steel modules and light grey color (RAL 7035) for tabletops and shelves. Possible tabletop height adjustment: 600–1300 mm. Possible lighting height adjustment: 1200–2000 mm. Maximum height of lighting ramp - 2090 mm. Tabletop thickness 25 mm.

When placing an order, please choose whether ESD or technical version, and whether dark grey RAL 7012 or light grey RAL 7035 color required.

1-2. PLATINUM SET / PLATINUM ADDITIONAL SET WITH LED LIGHTING

Single workbench with two lateral aluminum frames. The workbench is supplied in a set with lower cross bar perforated panel, main shelf and LED lighting. Additional set with one lateral aluminum frame is meant to be attached to main PLATIMUN workbench from either side, which provides inseparable working surface line.

Code	Width	Version	Type
NS.11.3.120.70.ESD	1200 mm	Main set	⚠
NS.11.3.120.70	1200 mm	Main set	⚙
NS.11.3.150.70.ESD	1500 mm	Main set	⚠
NS.11.3.150.70	1500 mm	Main set	⚙
NS.11.3.180.70.ESD	1800 mm	Main set	⚠
NS.11.3.180.70	1800 mm	Main set	⚙
NS.11.3.180.70	1800 mm	Main set	⚙
NS.11.7.120.70.ESD	1200 mm	Additional	⚠
NS.11.7.120.70	1200 mm	Additional	⚙
NS.11.7.150.70.ESD	1500 mm	Additional	⚠
NS.11.7.150.70	1500 mm	Additional	⚙
NS.11.7.180.70.ESD	1800 mm	Additional	⚠
NS.11.7.180.70	1800 mm	Additional	⚙

3-4. PLATINUM DOUBLE SET WITH LED LIGHTING / PLATINUM ADDITIONAL DOUBLE SET WITH LED LIGHTING

Double side workbench with two lateral aluminum frames. The workbench is supplied in a set with double lower cross bar, double-sided perforated panel, double main shelf and two lighting units. Additional double side workbench with one lateral aluminum frame to be attached to main PLATIMUN double workbench.

Code	Width	Version	Type
NS.11.11.120.70.ESD	1200 mm	Main set	⚠
NS.11.11.120.70	1200 mm	Main set	⚙
NS.11.11.150.70.ESD	1500 mm	Main set	⚠
NS.11.11.150.70	1500 mm	Main set	⚙
NS.11.11.180.70.ESD	1800 mm	Main set	⚠
NS.11.11.180.70	1800 mm	Main set	⚙
NS.11.15.120.70.ESD	1200 mm	Additional	⚠
NS.11.15.120.70	1200 mm	Additional	⚙
NS.11.15.150.70.ESD	1500 mm	Additional	⚠
NS.11.15.150.70	1500 mm	Additional	⚙
NS.11.15.180.70.ESD	1800 mm	Additional	⚠
NS.11.15.180.70	1800 mm	Additional	⚙

5-6. PLATINUM SET (ADDITIONAL SET) WITH MIDDLE UPRIGHT AND LED LAMP

Single workbench with two lateral aluminum frames. The workbench is supplied in a set with middle upright, half-size perforated panel, lower cross bar, main shelf and lighting. Additional set with one lateral aluminum frame is meant to be attached to main PLATIMUN workbench from either side, which provides inseparable working surface line.

Code	Width	Version	Type
NS.11.19.120.70.ESD	1200 mm	Main set	⚠
NS.11.19.120.70	1200 mm	Main set	⚙
NS.11.19.150.70.ESD	1500 mm	Main set	⚠
NS.11.19.150.70	1500 mm	Main set	⚙
NS.11.19.180.70.ESD	1800 mm	Main set	⚠
NS.11.19.180.70	1800 mm	Main set	⚙
NS.11.23.120.70.ESD	1200 mm	Additional	⚠
NS.11.23.120.70	1200 mm	Additional	⚙
NS.11.23.150.70.ESD	1500 mm	Additional	⚠
NS.11.23.150.70	1500 mm	Additional	⚙
NS.11.23.180.70.ESD	1800 mm	Additional	⚠
NS.11.23.180.70	1800 mm	Additional	⚙

7-7A. ADDITIONAL SHELF (DOUBLE SHELF)

Code	Width	Depth	Type
NS.11.26.120.30.ESD	1200 mm	300 mm	⚠
NS.11.26.120.30	1200 mm	300 mm	⚙
NS.11.26.150.30.ESD	1500 mm	300 mm	⚠
NS.11.26.150.30	1500 mm	300 mm	⚙
NS.11.26.180.30.ESD	1800 mm	300 mm	⚠
NS.11.26.180.30	1800 mm	300 mm	⚙
NS.11.27.120.40.ESD	1200 mm	400 mm	⚠
NS.11.27.120.40	1200 mm	400 mm	⚙
NS.11.27.150.40.ESD	1500 mm	400 mm	⚠
NS.11.27.150.40	1500 mm	400 mm	⚙
NS.11.27.180.40.ESD	1800 mm	400 mm	⚠
NS.11.27.180.40	1800 mm	400 mm	⚙
NS.11.28.120.30.ESD	2x1200 mm	300 mm	⚠
NS.11.28.120.30	2x1200 mm	300 mm	⚙
NS.11.28.150.30.ESD	2x1500 mm	300 mm	⚠
NS.11.28.150.30	2x1500 mm	300 mm	⚙
NS.11.28.180.30.ESD	2x1800 mm	300 mm	⚠
NS.11.28.180.30	2x1800 mm	300 mm	⚙
NS.11.26.120.40.ESD	2x1200 mm	400 mm	⚠
NS.11.28.120.40	2x1200 mm	400 mm	⚙
NS.11.28.150.40.ESD	2x1500 mm	400 mm	⚠
NS.11.28.150.40	2x1500 mm	400 mm	⚙
NS.11.28.180.40.ESD	2x1800 mm	400 mm	⚠
NS.11.28.180.40	2x1800 mm	400 mm	⚙

8. UNDER-SHELF LOCAL LED LIGHTING

Additional lighting can be mounted under the main shelf or attached to perforated panel. Suitable for any workbench equipped with upper modules. Angle adjustment 80°.

– 2 versions: 60 cm length and 90 cm length
– Color temperature 4700–5300 K Provides at least 1000-lux illuminance at 1000 mm distance from the light source. Also available with dimmer.

Code	Lighting width	Dimmer
NS.1.11	600 mm	-
NS.1.12	900 mm	-
NS.1.17	600 mm	+
NS.1.18	900 mm	+

9. POWER PANEL

9A. ½ POWER PANEL

9B. DOUBLE POWER PANEL

An aluminum case/ two cases with four sockets, protective contact, switch and 3 m cable. Can be equipped with additional sockets, fuses, phone jacks and earth leakage circuit breakers.

– Nominal load capacity: 10 A

Available with sockets matching all specific standards for Germany, UK, Czech republic, Switzerland, Italy, Israel and other countries on request.

10. BIN RAIL

10A. ½ BIN RAIL

10B. DOUBLE BIN RAIL

Aluminum rail for bin storage placed along workbench length.

Code	Wb width	Size
NS.11.29.120	1200 mm	full
NS.11.29.150	1500 mm	full
NS.11.29.180	1800 mm	full
NS.11.30.120	1200 mm	Half-size
NS.11.30.150	1500 mm	Half-size
NS.11.30.180	1800 mm	Half-size
NS.11.31.120	1200 mm	double
NS.11.31.150	1500 mm	double
NS.11.31.180	1800 mm	double

11. OPTIONAL DRAWER UNITS

11A. OPTIONAL DRAWER UNITS WITH REDUCED DEPTH

Storage solution for tools and components, no place on floor required. Those with reduced to 490 mm depth allow installing various additional equipment under a tabletop.

Code	Quantity of drawers	Depth	Type	Color
NS.16.27.7012.ESD	3	full	⚠	⚫
NS.16.27.7012	3	full	⚙	⚫
NS.16.27.7035.ESD	3	full	⚠	⚫
NS.16.27.7035	3	full	⚙	⚫
NS.16.28.7012.ESD	2	full	⚠	⚫
NS.16.28.7012	2	full	⚙	⚫
NS.16.28.7035.ESD	2	full	⚠	⚫
NS.16.28.7035	2	full	⚙	⚫
NS.16.29.7012.ESD	3	reduced	⚠	⚫
NS.16.29.7012	3	reduced	⚙	⚫
NS.16.29.7035.ESD	3	reduced	⚠	⚫
NS.16.29.7035	3	reduced	⚙	⚫
NS.16.30.7012.ESD	2	reduced	⚠	⚫
NS.16.30.7012	2	reduced	⚙	⚫
NS.16.30.7035.ESD	2	reduced	⚠	⚫
NS.16.30.7035	2	reduced	⚙	⚫

12. PERFORATED PANEL V.2

Perforated panel v.2 with 38 mm feed pitch. Panel can be equipped with different holders for additional equipment and tools storage.

Code	Width	Type
NS.11.32.120.EU	1200 mm	Full-size single
NS.11.32.150.EU	1500 mm	Full-size single
NS.11.32.180.EU	1800 mm	Full-size single
NS.11.34.120.EU	1200 mm	Double
NS.11.34.150.EU	1500 mm	Double
NS.11.34.180.EU	1800 mm	Double
NS.11.33.120.EU	1200 mm	Half-size
NS.11.33.150.EU	1500 mm	Half-size
NS.11.33.180.EU	1800 mm	Half-size

13. CANTILEVER

It was designed for easy-to-reach attaching of drawings, lighting and instruments..

Code	Width
NS.11.25.120	1200 mm
NS.11.25.150	1500 mm
NS.11.25.180	1800 mm

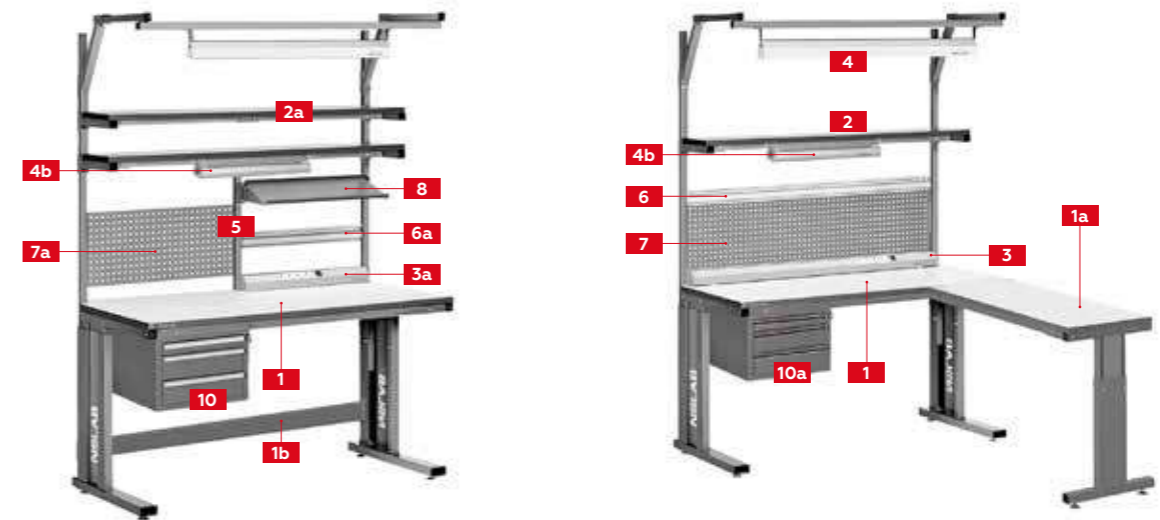
The edges of ESD version worktops and shelves are painted in dark gray (RAL 7012).
 Technical version worktops and shelves have edges painted in light gray (RAL 7035).
 Other colors edges available on request.



ZR ZIRCONIUM

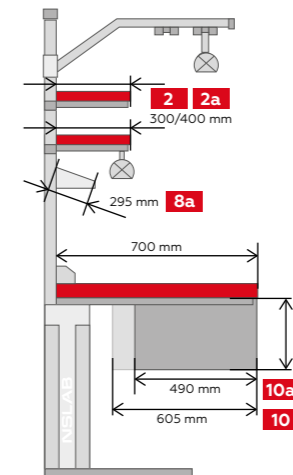
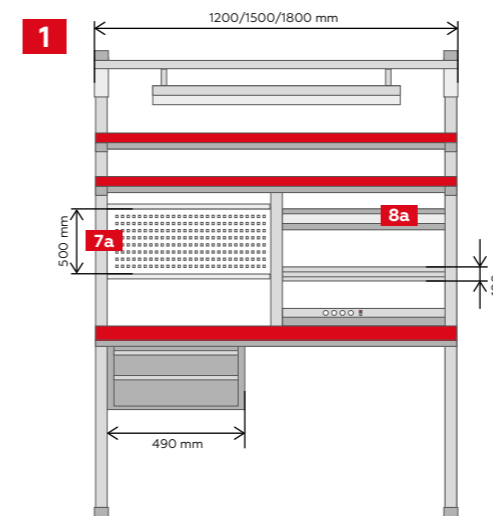
SERIES WORKBENCHES

ZIRCONIUM series workbenches with L-shape metal side supports and can be additionally equipped with a number of applicative modules.

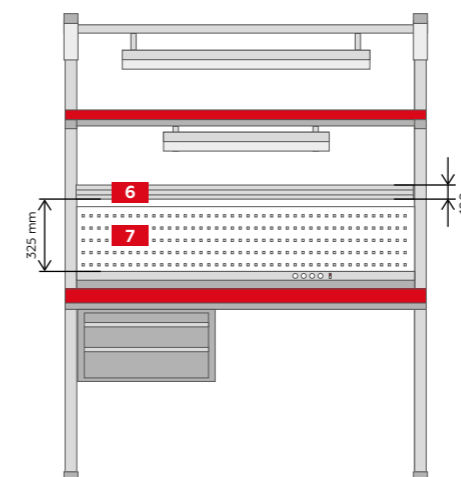


- 1 800–950 mm 200 kg 300°C
- 2, 2a 1000–1800 mm 50 kg 300/400 mm

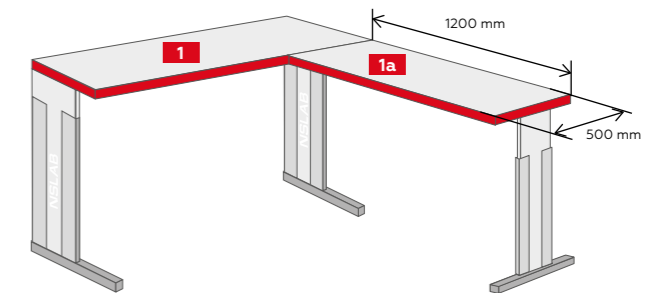
- 4 500-1350 mm from tabletop



- 6 1110/1410/1710×100 mm
- 6a 530/680/830×100 mm
- 10 kg
- 7 1190/1490/1790×325 mm
- 7a 610/760/910×500 mm
- 10 kg



- 8 1111/1411/1711×295 mm 10 kg
- 8a 534/684/834×295 mm



When placing an order, please choose whether ESD or technical version, and whether dark grey RAL 7012 or light grey RAL 7035 color required.

1. ZIRCONIUM SERIES WORKBENCH WITH L-SHAPE METAL SIDE SUPPORTS

Tabletop thickness 25 mm.

Code	Width	Type	Color
NS.5.2.120.70.7012.ESD	1200 mm	ESD	Dark Grey
NS.5.2.120.70.7035.ESD	1200 mm	ESD	Light Grey
NS.5.2.120.70.7012	1200 mm	Technical	Dark Grey
NS.5.2.120.70.7035	1200 mm	Technical	Light Grey
NS.5.2.150.70.7012.ESD	1500 mm	ESD	Dark Grey
NS.5.2.150.70.7035.ESD	1500 mm	ESD	Light Grey
NS.5.2.150.70.7012	1500 mm	Technical	Dark Grey
NS.5.2.150.70.7035	1500 mm	Technical	Light Grey
NS.5.2.180.70.7012.ESD	1800 mm	ESD	Dark Grey
NS.5.2.180.70.7035.ESD	1800 mm	ESD	Light Grey
NS.5.2.180.70.7012	1800 mm	Technical	Dark Grey
NS.5.2.180.70.7035	1800 mm	Technical	Light Grey

1A. ZIRCONIUM SERIES CORNER WORKBENCH

Additional side outlier for ZR workbenches.

Code	Color	Type
NS.5.14.120.50.7012.ESD	Dark Grey	ESD
NS.5.14.120.50.7035.ESD	Light Grey	ESD
NS.5.14.120.50.7012	Dark Grey	Technical
NS.5.14.120.50.7035	Light Grey	Technical

1B. ADDITIONAL LOWER CROSSBAR

Provides extended stability and rigidity of the workbench.

Code	Width	Color
NS.3.1.120.7035	1200 mm	Light Grey
NS.3.1.120.7012	1200 mm	Dark Grey
NS.3.1.150.7035	1500 mm	Light Grey
NS.3.1.150.7012	1500 mm	Dark Grey
NS.3.1.180.7035	1800 mm	Light Grey
NS.3.1.180.7012	1800 mm	Dark Grey

2. MAIN SHELF

Rear racks included.

Code	Shelf width	Wb depth	Color	Type
NS.1.24.120.40.7012.ESD	1200 mm	300 mm	Dark Grey	ESD
NS.1.24.120.40.7012	1200 mm	300 mm	Dark Grey	Technical
NS.1.24.120.40.7035.ESD	1200 mm	300 mm	Light Grey	ESD
NS.1.24.120.40.7035	1200 mm	300 mm	Light Grey	Technical
NS.1.24.150.40.7012.ESD	1500 mm	300 mm	Dark Grey	ESD
NS.1.24.150.40.7012	1500 mm	300 mm	Dark Grey	Technical
NS.1.24.150.40.7035.ESD	1500 mm	300 mm	Light Grey	ESD
NS.1.24.150.40.7035	1500 mm	300 mm	Light Grey	Technical
NS.1.24.180.40.7012.ESD	1800 mm	300 mm	Dark Grey	ESD
NS.1.24.180.40.7012	1800 mm	300 mm	Dark Grey	Technical
NS.1.24.180.40.7035.ESD	1800 mm	300 mm	Light Grey	ESD
NS.1.24.180.40.7035	1800 mm	300 mm	Light Grey	Technical
NS.1.25.120.40.7012.ESD	1200 mm	400 mm	Dark Grey	ESD
NS.1.25.120.40.7012	1200 mm	400 mm	Dark Grey	Technical
NS.1.25.120.40.7035.ESD	1200 mm	400 mm	Light Grey	ESD
NS.1.25.120.40.7035	1200 mm	400 mm	Light Grey	Technical
NS.1.25.150.40.7012.ESD	1500 mm	400 mm	Dark Grey	ESD
NS.1.25.150.40.7012	1500 mm	400 mm	Dark Grey	Technical
NS.1.25.150.40.7035.ESD	1500 mm	400 mm	Light Grey	ESD
NS.1.25.150.40.7035	1500 mm	400 mm	Light Grey	Technical
NS.1.25.180.40.7012.ESD	1800 mm	400 mm	Dark Grey	ESD
NS.1.25.180.40.7012	1800 mm	400 mm	Dark Grey	Technical
NS.1.25.180.40.7035.ESD	1800 mm	400 mm	Light Grey	ESD
NS.1.25.180.40.7035	1800 mm	400 mm	Light Grey	Technical

2A. ADDITIONAL SHELF

Requires Main shelf to be installed. Rear racks excluded.

Code	Shelf width	Wb depth	Color	Type
NS.1.26.120.30.7012.ESD	1200 mm	300 mm	Dark Grey	ESD
NS.1.26.120.30.7012	1200 mm	300 mm	Dark Grey	Technical
NS.1.26.120.30.7035.ESD	1200 mm	300 mm	Light Grey	ESD
NS.1.26.120.30.7035	1200 mm	300 mm	Light Grey	Technical
NS.1.26.150.30.7012.ESD	1500 mm	300 mm	Dark Grey	ESD
NS.1.26.150.30.7012	1500 mm	300 mm	Dark Grey	Technical
NS.1.26.150.30.7035.ESD	1500 mm	300 mm	Light Grey	ESD
NS.1.26.150.30.7035	1500 mm	300 mm	Light Grey	Technical
NS.1.26.180.30.7012.ESD	1800 mm	300 mm	Dark Grey	ESD
NS.1.26.180.30.7012	1800 mm	300 mm	Dark Grey	Technical
NS.1.26.180.30.7035.ESD	1800 mm	300 mm	Light Grey	ESD
NS.1.26.180.30.7035	1800 mm	300 mm	Light Grey	Technical
NS.1.26.120.40.7012.ESD	1200 mm	400 mm	Dark Grey	ESD
NS.1.26.120.40.7012	1200 mm	400 mm	Dark Grey	Technical
NS.1.26.120.40.7035.ESD	1200 mm	400 mm	Light Grey	ESD
NS.1.26.120.40.7035	1200 mm	400 mm	Light Grey	Technical
NS.1.26.150.40.7012.ESD	1500 mm	400 mm	Dark Grey	ESD
NS.1.26.150.40.7012	1500 mm	400 mm	Dark Grey	Technical
NS.1.26.150.40.7035.ESD	1500 mm	400 mm	Light Grey	ESD
NS.1.26.150.40.7035	1500 mm	400 mm	Light Grey	Technical
NS.1.26.180.40.7012.ESD	1800 mm	400 mm	Dark Grey	ESD
NS.1.26.180.40.7012	1800 mm	400 mm	Dark Grey	Technical
NS.1.26.180.40.7035.ESD	1800 mm	400 mm	Light Grey	ESD
NS.1.26.180.40.7035	1800 mm	400 mm	Light Grey	Technical

4B. UNDER-SHELF LOCAL LIGHTING

Additional lighting can be mounted under the main shelf or attached to perforated panel. Provides at least 1000-lux illuminance at 1000 mm distance from the light source.

Code	Lighting width	Dimmer
NS.1.11	600 mm	-
NS.1.12	900 mm	-
NS.1.17	600 mm	+
NS.1.18	900 mm	+

5. MIDDLE UPRIGHT FOR ALL ITEMS REQUIRED TO HOLD ANY 1/2 ITEM

Three sizes to match standard workbench width.

Code	Wb width	Color
NS.3.5.120.7012	1200 mm	Dark Grey
NS.3.5.120.7035	1200 mm	Light Grey
NS.3.5.150.7012	1500 mm	Dark Grey
NS.3.5.150.7035	1500 mm	Light Grey
NS.3.5.180.7012	1800 mm	Dark Grey
NS.3.5.180.7035	1800 mm	Light Grey

6. BIN RAIL

Aluminum rail for bin storage placed along workbench length.

Code	Wb width	Color	Size
NS.2.31.120.7012	1200 mm	Dark Grey	full
NS.2.31.120.7035	1200 mm	Light Grey	full
NS.2.31.150.7012	1500 mm	Dark Grey	full
NS.2.31.150.7035	1500 mm	Light Grey	full
NS.2.31.180.7012	1800 mm	Dark Grey	full
NS.2.31.180.7035	1800 mm	Light Grey	full

3. POWER PANEL

3A. 1/2 POWER PANEL

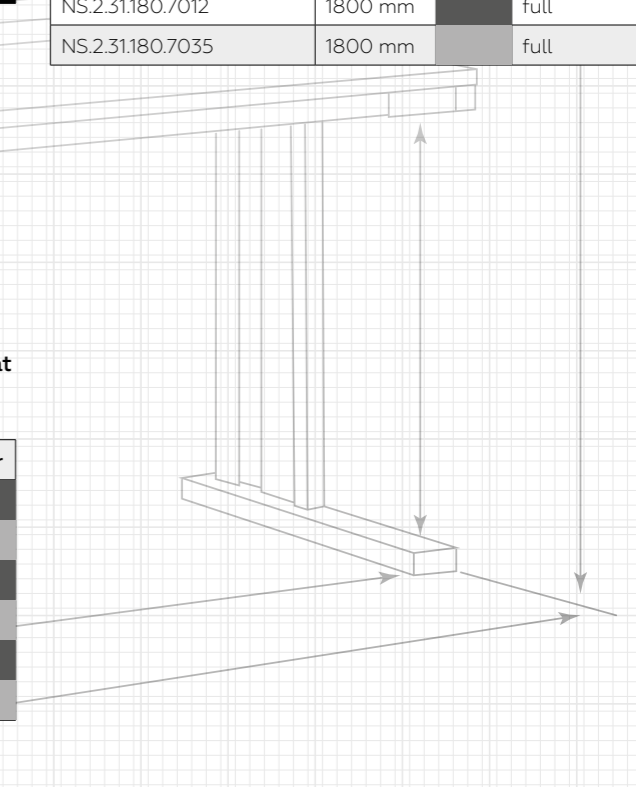
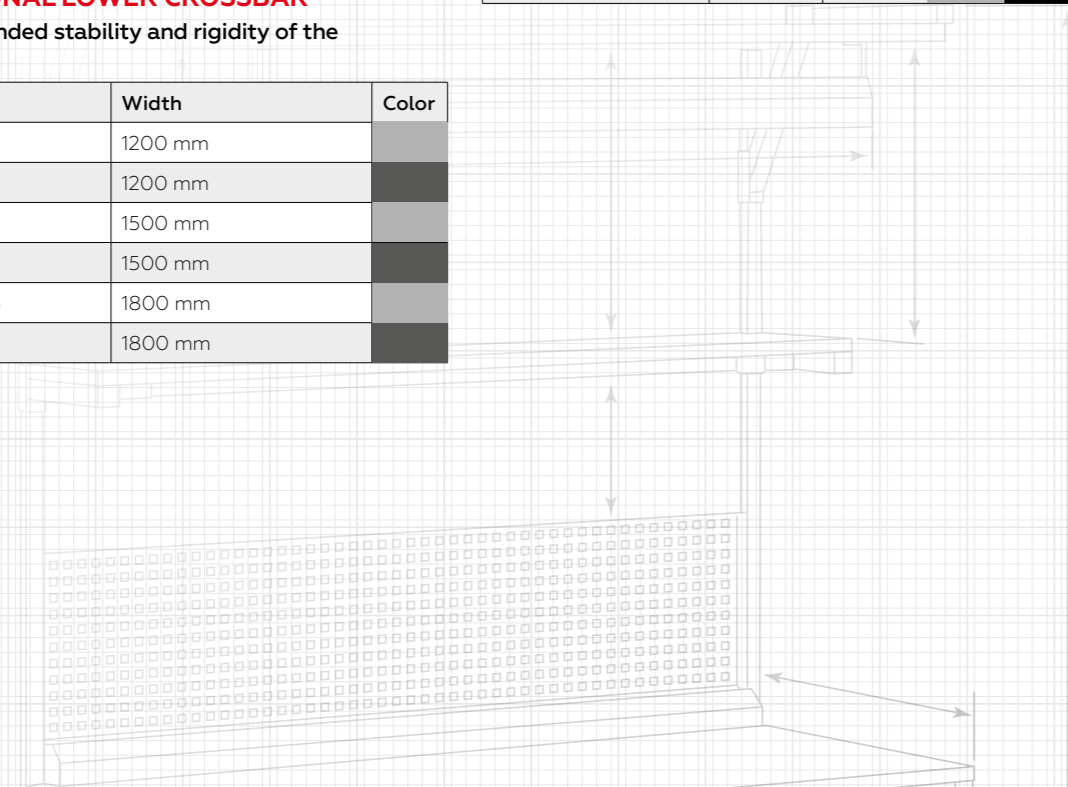
An aluminum case/half-size case with four sockets, protective contact, switch and 3 m cable. Nominal load capacity: 10 A

Available with sockets matching all specific standards for Germany, UK, Czech republic, Switzerland, Italy, Israel and other countries on request.

4. ZR WORKBENCH LED LIGHTING

An aluminum case with LED lamp and light direction regulation. Color temperature 4700-5300 K Provides at least 1200-lux illuminance at 1000 mm distance from the light source.

Code	Width	Color
NS.1.15.120.7012	1200 mm	Dark Grey
NS.1.15.120.7035	1200 mm	Light Grey
NS.1.15.150.7012	1500 mm	Dark Grey
NS.1.15.150.7035	1500 mm	Light Grey
NS.1.15.180.7012	1800 mm	Dark Grey
NS.1.15.180.7035	1800 mm	Light Grey



6A. 1/2 BIN RAIL

Aluminum rail for bin storage placed along workbench length.

Code	Wb width	Color	Size
NS.2.33.120.7012	1200 mm		Half-size
NS.2.33.120.7035	1200 mm		Half-size
NS.2.33.150.7012	1500 mm		Half-size
NS.2.33.150.7035	1500 mm		Half-size
NS.2.33.180.7012	1800 mm		Half-size
NS.2.33.180.7035	1800 mm		Half-size

7. PERFORATED PANEL

Panel can be equipped with different holders for additional equipment and tools storage.

Code	Wb width	Color	Size
NS.3.6.120.7012	1200 mm		full
NS.3.6.120.7035	1200 mm		full
NS.3.6.150.7012	1500 mm		full
NS.3.6.150.7035	1500 mm		full
NS.3.6.180.7012	1800 mm		full
NS.3.6.180.7035	1800 mm		full

7A. 1/2 PERFORATED PANEL

Panel can be equipped with different holders for additional equipment and tools storage.

Code	Wb width	Color	Size
NS.3.7.120.7012	1200 mm		Half-size
NS.3.7.120.7035	1200 mm		Half-size
NS.3.7.150.7012	1500 mm		Half-size
NS.3.7.150.7035	1500 mm		Half-size
NS.3.7.180.7012	1800 mm		Half-size
NS.3.7.180.7035	1800 mm		Half-size

7B. PERFORATED PANEL V.2

Perforated panel v.2 with 38 mm feed pitch. Panel can be equipped with different holders for additional equipment and tools storage.

Code	Wb width	Color	Size
NS.3.9.120.7035.EU	1200 mm		Full-size
NS.3.9.150.7035.EU	1500 mm		Full-size
NS.3.9.180.7035.EU	1800 mm		Full-size
NS.3.9.120.7012.EU	1200 mm		Full-size
NS.3.9.150.7012.EU	1500 mm		Full-size
NS.3.9.180.7012.EU	1800 mm		Full-size
NS.3.10.120.7035.EU	1200 mm		Half-size
NS.3.10.150.7035.EU	1500 mm		Half-size
NS.3.10.180.7035.EU	1800 mm		Half-size
NS.3.10.120.7012.EU	1200 mm		Half-size
NS.3.10.150.7012.EU	1500 mm		Half-size
NS.3.10.180.7012.EU	1800 mm		Half-size

8. FULL-SIZED SLOPED SHELF

Sloped shelf with 10-55° angle adjustment provides comfort monitoring of working equipment.

Code	Width	Size	Type	Color
NS.1.37.120.7012.ESD	1200 mm	Full-size		
NS.1.37.120.7012	1200 mm	Full-size		
NS.1.37.120.7035.ESD	1200 mm	Full-size		
NS.1.37.120.7035	1200 mm	Full-size		
NS.1.37.150.7012.ESD	1500 mm	Full-size		
NS.1.37.150.7012	1500 mm	Full-size		
NS.1.37.150.7035.ESD	1500 mm	Full-size		
NS.1.37.150.7035	1500 mm	Full-size		
NS.1.37.180.7012.ESD	1800 mm	Full-size		
NS.1.37.180.7012	1800 mm	Full-size		
NS.1.37.180.7035.ESD	1800 mm	Full-size		
NS.1.37.180.7035	1800 mm	Full-size		

8A. HALF-SIZED SLOPED SHELF

Sloped shelf with 10-55° angle adjustment provides comfort monitoring of working equipment.

Code	Width	Size	Type	Color
NS.1.36.120.7012.ESD	1200 mm	Half-size		
NS.1.36.120.7012	1200 mm	Half-size		
NS.1.36.120.7035.ESD	1200 mm	Half-size		
NS.1.36.120.7035	1200 mm	Half-size		
NS.1.36.150.7012.ESD	1500 mm	Half-size		
NS.1.36.150.7012	1500 mm	Half-size		
NS.1.36.150.7035.ESD	1500 mm	Half-size		
NS.1.36.150.7035	1500 mm	Half-size		
NS.1.36.180.7012.ESD	1800 mm	Half-size		
NS.1.36.180.7012	1800 mm	Half-size		
NS.1.36.180.7035.ESD	1800 mm	Half-size		
NS.1.36.180.7035	1800 mm	Half-size		

9. CANTILEVER

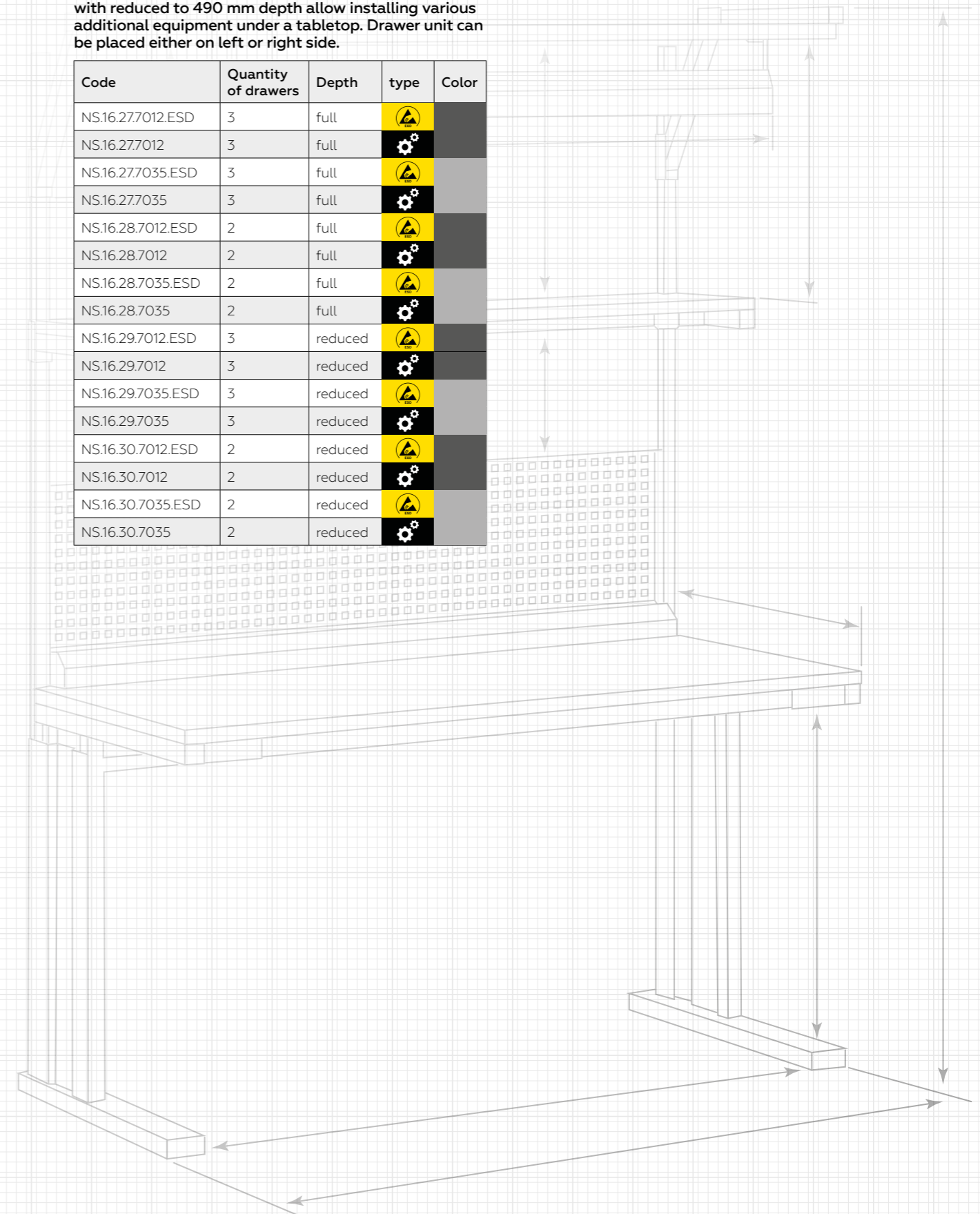
Cantilever for fastening drawings, additional lighting and instruments.

Code	Width	Color
NS.4.41.120.7012	1200 mm	
NS.4.41.120.7035	1200 mm	
NS.4.41.150.7012	1500 mm	
NS.4.41.150.7035	1500 mm	
NS.4.41.180.7012	1800 mm	
NS.4.41.180.7035	1800 mm	

10, 10A. OPTIONAL DRAWER UNITS / OPTIONAL DRAWER UNITS WITH REDUCED DEPTH

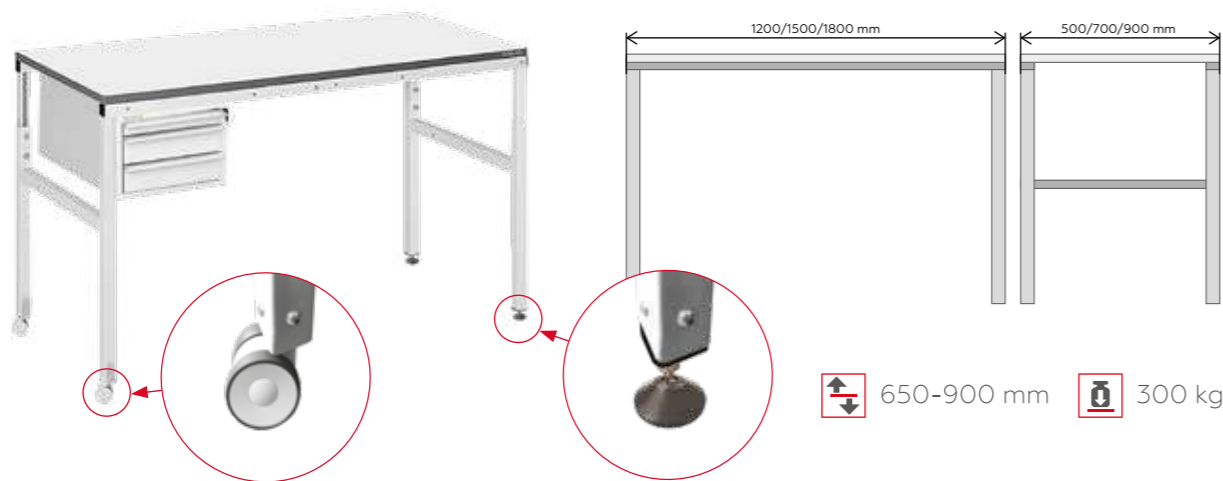
Storage solution for tools and components. Those with reduced to 490 mm depth allow installing various additional equipment under a tabletop. Drawer unit can be placed either on left or right side.

Code	Quantity of drawers	Depth	type	Color
NS.16.27.7012.ESD	3	full		
NS.16.27.7012	3	full		
NS.16.27.7035.ESD	3	full		
NS.16.27.7035	3	full		
NS.16.28.7012.ESD	2	full		
NS.16.28.7012	2	full		
NS.16.28.7035.ESD	2	full		
NS.16.28.7035	2	full		
NS.16.29.7012.ESD	3	reduced		
NS.16.29.7012	3	reduced		
NS.16.29.7035.ESD	3	reduced		
NS.16.29.7035	3	reduced		
NS.16.30.7012.ESD	2	reduced		
NS.16.30.7012	2	reduced		
NS.16.30.7035.ESD	2	reduced		
NS.16.30.7035	2	reduced		



AG B AND AG C BASIC WORKBENCHES

AG B ARGENTUM BASIC WORKBENCHES



AG C ARGENTUM C MOVABLE COMPUTER EQUIPMENT WORKBENCH



AG B ARGENTUM BASIC WORKBENCHES do not allow any upper extension, but can be placed in a line with no gaps. 700 mm and 900 mm depth workbenches can be equipped with all types of Optional drawer units and additional swivel or casters supports.

When placing an order, please choose whether ESD or technical version, and whether dark grey RAL 7012 or light grey RAL 7035 color required.

1. ARGENTUM BASIC WORKBENCH

Code	Width	Depth	Type	Color
NS.5.10.120.50.7012.ESD	1200 mm	500 mm		ESD
NS.5.10.120.50.7035.ESD	1200 mm	500 mm		ESD
NS.5.10.120.50.7012	1200 mm	500 mm		Technical
NS.5.10.120.50.7035	1200 mm	500 mm		Technical
NS.5.10.150.50.7012.ESD	1500 mm	500 mm		ESD
NS.5.10.150.50.7035.ESD	1500 mm	500 mm		ESD
NS.5.10.150.50.7012	1500 mm	500 mm		Technical
NS.5.10.150.50.7035	1500 mm	500 mm		Technical
NS.5.10.180.50.7012.ESD	1800 mm	500 mm		ESD
NS.5.10.180.50.7035.ESD	1800 mm	500 mm		ESD
NS.5.10.180.50.7012	1800 mm	500 mm		Technical
NS.5.10.180.50.7035	1800 mm	500 mm		Technical
NS.5.11.120.70.7012.ESD	1200 mm	700 mm		ESD
NS.5.11.120.70.7035.ESD	1200 mm	700 mm		ESD
NS.5.11.120.70.7012	1200 mm	700 mm		Technical
NS.5.11.120.70.7035	1200 mm	700 mm		Technical
NS.5.11.150.70.7012.ESD	1500 mm	700 mm		ESD
NS.5.11.150.70.7035.ESD	1500 mm	700 mm		ESD
NS.5.11.150.70.7012	1500 mm	700 mm		Technical
NS.5.11.150.70.7035	1500 mm	700 mm		Technical
NS.5.11.180.70.7012.ESD	1800 mm	700 mm		ESD
NS.5.11.180.70.7035.ESD	1800 mm	700 mm		ESD
NS.5.11.180.70.7012	1800 mm	700 mm		Technical
NS.5.11.180.70.7035	1800 mm	700 mm		Technical
NS.5.12.120.90.7012.ESD	1200 mm	900 mm		ESD
NS.5.12.120.90.7035.ESD	1200 mm	900 mm		ESD
NS.5.12.120.90.7012	1200 mm	900 mm		Technical
NS.5.12.120.90.7035	1200 mm	900 mm		Technical
NS.5.12.150.90.7012.ESD	1500 mm	900 mm		ESD
NS.5.12.150.90.7035.ESD	1500 mm	900 mm		ESD
NS.5.12.150.90.7012	1500 mm	900 mm		Technical
NS.5.12.150.90.7035	1500 mm	900 mm		Technical
NS.5.12.180.90.7012.ESD	1800 mm	900 mm		ESD
NS.5.12.180.90.7035.ESD	1800 mm	900 mm		ESD
NS.5.12.180.90.7012	1800 mm	900 mm		Technical
NS.5.12.180.90.7035	1800 mm	900 mm		Technical

2. OPTIONAL DRAWER UNITS

2A. OPTIONAL DRAWER UNITS WITH REDUCED DEPTH

Storage solution for tools and components, no place on floor required. Those with reduced to 490 mm depth allow installing various additional equipment under a tabletop. Drawer unit can be placed either on left or right side.

Code	Quantity of drawers	Depth	Type	Color
NS.16.27.7012.ESD	3	full	ESD	ESD
NS.16.27.7012	3	full	Technical	Technical
NS.16.27.7035.ESD	3	full	ESD	ESD
NS.16.27.7035	3	full	Technical	Technical
NS.16.28.7012.ESD	2	full	ESD	ESD
NS.16.28.7012	2	full	Technical	Technical
NS.16.28.7035.ESD	2	full	ESD	ESD
NS.16.28.7035	2	full	Technical	Technical
NS.16.29.7012.ESD	3	reduced	ESD	ESD
NS.16.29.7012	3	reduced	Technical	Technical
NS.16.29.7035.ESD	3	reduced	ESD	ESD
NS.16.29.7035	3	reduced	Technical	Technical
NS.16.30.7012.ESD	2	reduced	ESD	ESD
NS.16.30.7012	2	reduced	Technical	Technical
NS.16.30.7035.ESD	2	reduced	ESD	ESD
NS.16.30.7035	2	reduced	Technical	Technical

3. ADDITIONAL SWIVEL AND CASTERS SUPPORTS

Supports require connecting plug installation.

Code	Item	Type
NS.1.40	Connecting plug	ESD
NS.1.40.ESD	Connecting plug	Technical
NS.1.41	Swivel supports	For both versions
NS.1.53.ESD	Castors	ESD
NS.1.53	Castors	Technical

AG C ARGENTUM C MOVABLE COMPUTER EQUIPMENT WORKBENCH. Space-saving movable workbench for computer and measurement equipment storage and transportation. Movable workbench is equipped with four 75 mm casters, two of which are with brakes and keyboard support.

Code	Color	Type
NS.5.8.90.70.7012.ESD	ESD	ESD
NS.5.8.90.70.7035.ESD	ESD	ESD
NS.5.8.90.70.7012	Technical	Technical
NS.5.8.90.70.7035	Technical	Technical

Power panel NS.4.8 can be additionally installed

DRAWER UNITS

SUSPENDED, MOVABLE AND STATIONARY DRAWER UNITS

Steel frame drawer units are designed for tools and components storage. Movable and stationary drawer units can be also used as additional workplaces. Steel frame drawer units are equipped with central lock and either 550 mm telescoping drawers or shelves. Movable units have four rubber casters, two of which are with brakes. We also offer suspended drawer units with reduced to 490 mm depth, which allow installing various additional equipment under a tabletop.

Drawers' inner dimensions for different types are:





- A – standard 400×45×505 mm
- B – standard 400×100×505 mm
- C – standard 400×160×505 mm
- D – standard 400×200×505 mm



Reduced drawers:

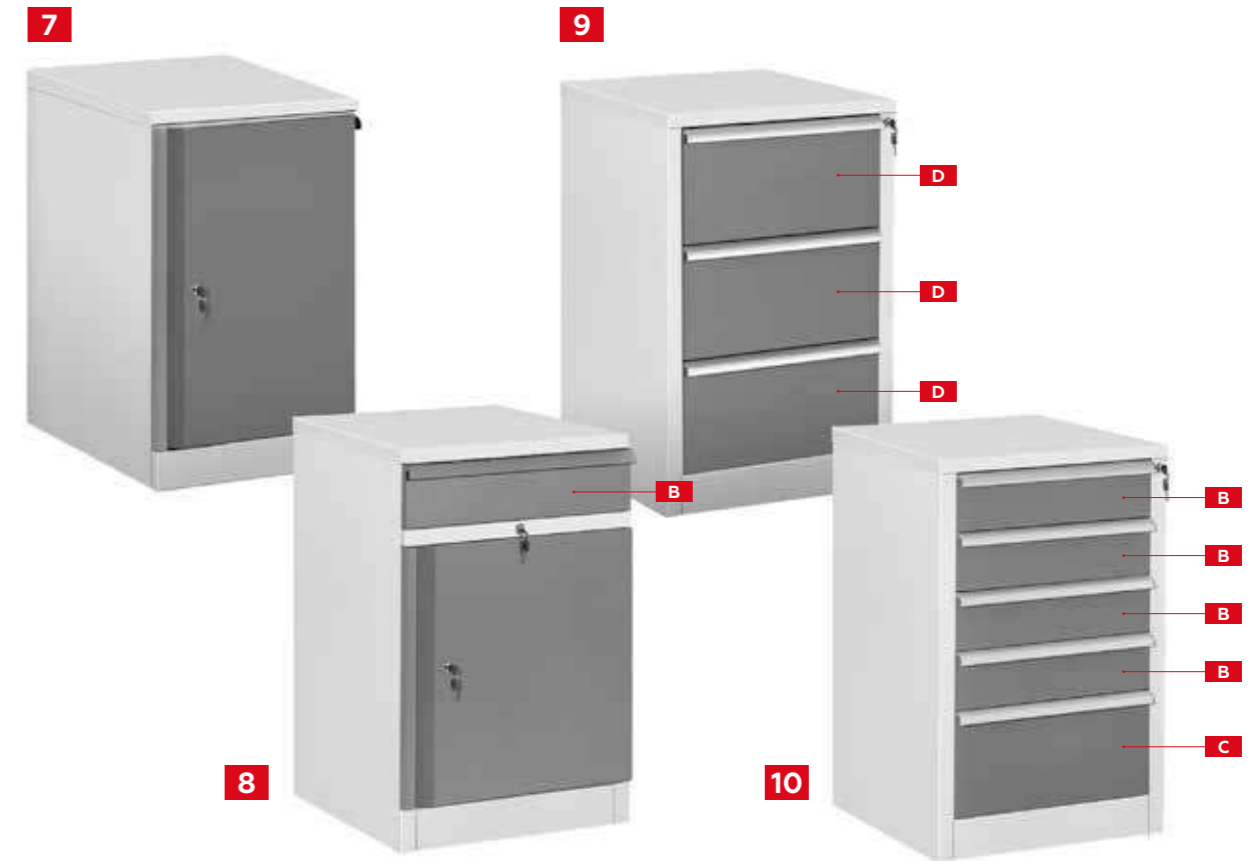
- a – reduced 400×45×426 mm
- b – reduced 400×100×426 mm

 per drawer 30 kg



Color	Type	1	2	3	4	5	6
Black		NS.16.277012.ESD	NS.16.28.7012.ESD	NS.16.29.7012.ESD	NS.16.30.7012.ESD	NS.16.31.7012.ESD	NS.16.32.7012.ESD
		NS.16.277012	NS.16.28.7012	NS.16.29.7012	NS.16.30.7012	NS.16.31.7012	NS.16.32.7012
Grey		NS.16.277035.ESD	NS.16.28.7035.ESD	NS.16.29.7035.ESD	NS.16.30.7035.ESD	NS.16.31.7035.ESD	NS.16.32.7035.ESD
		NS.16.277035	NS.16.28.7035	NS.16.29.7035	NS.16.30.7035	NS.16.31.7035	NS.16.32.7035

Color	Type	7	8	9	10
Black		NS.16.35.00.ESD	NS.16.36.00.ESD	NS.16.33.ESD	NS.16.34.ESD
		NS.16.35.00	NS.16.36.00	NS.16.33	NS.16.34



Drawer units	Suspended				Movable	
Picture number	1	2	3	4	5	6
Dimensions (W×H×D), mm	490×354×605	490×233×605	490×354×490	490×233×490	490×580×610	490×650×635
Quantity of drawers	3	2	3	2	3	4
Drawers per unit	A	1	1	–	–	1
	B	2	1	–	–	2
	C	–	–	–	–	1
	a	–	–	1	1	–
	b	–	–	2	1	–
Weight (kg)	20	15	17	12	25	32

Drawer units	Stationary			
Picture number	7	8	9	10
Dimensions (W×H×D), mm	500×800×590 mm	500×800×590 mm	500×800×590 mm	500×800×590 mm
Quantity of drawers	2 shelves	1 drawer, 1 shelf	3 drawers	5 drawers
Drawers per unit	B	–	1	–
	C	–	–	–
	D	–	–	3
Weight (kg)	25	30	35	40

MOVABLE TABLES

Movable tables are used for tools and components storage and transportation. All movable tables are equipped with four 75 mm casters, two of which are with brakes.



1, 2, 3 650–890 mm



4 705-950 mm



Picture number	1	2	3	4
Load capacity per surface	150 kg			100 kg
Dimensions, WxD	710x515 mm	700x1000 mm	700x1500 mm	710x515 mm
Inner dimensions and usable area of upper shelf	515x710 mm	700x1000 mm	700x1500 mm	515x710 mm
Inner dimensions and usable area of lower shelf	410x710 mm	610x1000 mm	610x1500 mm	410x710 mm

When placing an order, please choose whether ESD or technical version, and whether dark grey RAL 7012 or light grey RAL 7035 color required.

Color	Type	1	2	3	4
Light grey		NS.15.7.71.51.7012.ESD	NS.15.9.70.100.7012.ESD	NS.15.10.70.150.7012.ESD	NS.15.8.71.51.7012.ESD
		NS.15.7.71.51.7012	NS.15.9.70.100.7012	NS.15.10.70.150.7012	NS.15.8.71.51.7012
Dark grey		NS.15.7.71.51.7035.ESD	NS.15.9.70.100.7035.ESD	NS.15.10.70.150.7035.ESD	NS.15.8.71.51.7035.ESD
		NS.15.7.71.51.7035	NS.15.9.70.100.7035	NS.15.10.70.150.7035	NS.15.8.71.51.7035

WORKPLACES ADDITIONAL EQUIPMENT



POWER PANEL ACCESSORIES

Standard power panels can be equipped with a number of additional units:

Type	Code
Single sockets with grounding	NS.4.42
USB double charger socket	NS.4.11
Double RJ 45 socket cat. 6UTP	NS.4.43
RJ-11 Telephone Socket	NS.4.44
10 A automatic fuse	NS.4.45
16 A automatic fuse	NS.4.46
25 A automatic fuse	NS.4.47
Circuit breaker 16A/0.01A	NS.4.48
Circuit breaker 25A/0.01A	NS.4.49

Also available with sockets matching specific countries standards: Germany, UK, Czech republic, Switzerland, Italy, Israel, etc.

BIN RAIL NS.2.34.10.100

Aluminum rail can be installed wherever on the wall to hold attached storage bins. Maximum length 3 m.
– Width 95 mm.



REINFORCING BRACKET

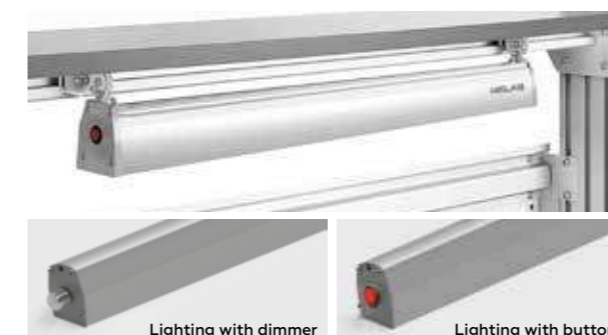
A set of reinforcing brackets for main shelves of ARGENTUM, ZIRCONIUM and OSMIUM series workbenches. Helps to increase Main shelves load capacity up to 100 kg.

Type	Color
NS.1.33.7035	
NS.1.33.7012	

UNDER-SHELF LOCAL LIGHTING

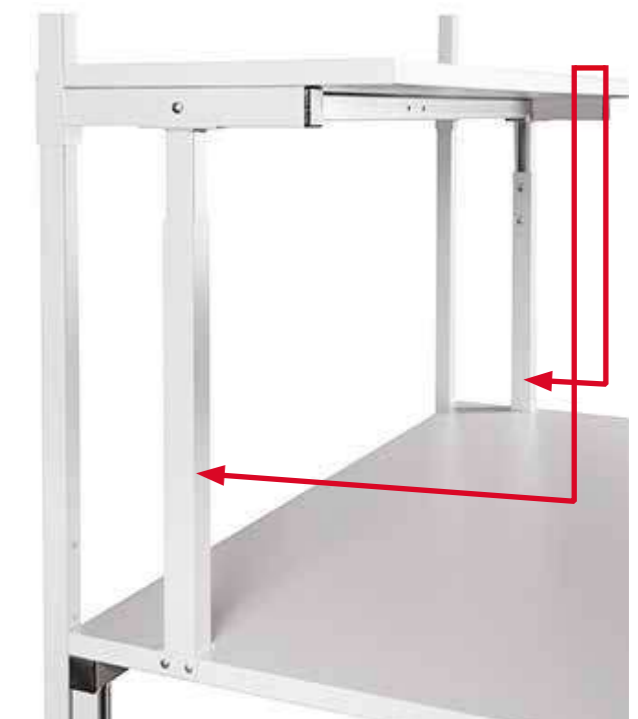
Additional lighting can be mounted under the main shelf or attached to perforated panel. Suitable for any workbench equipped with upper modules. Angle adjustment ±60° or 80° depending on the type of workbench.

Type	Lighting width	Dimmer
NS.1.11	600 mm	-
NS.1.12	900 mm	-
NS.1.17	600 mm	+
NS.1.18	900 mm	+



Lighting with dimmer

Lighting with button



CABINETS AND WARDROBES

All cabinets have central lock. Filing and combined cabinets have three or four height adjustable shelves with 50 mm pitches. For wardrobe and combined cabinets garment bar included.



1a 2 3



1a



1b




1b











2



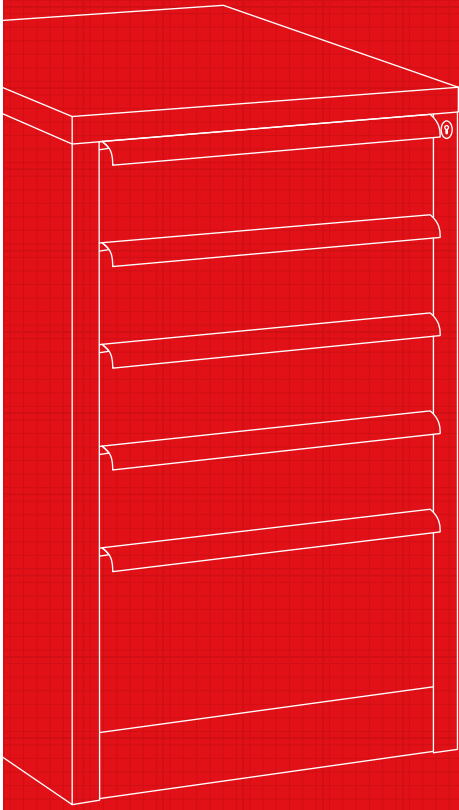
3

 per surface – 30 kg

	Filing cabinets		
Picture	1a		1b
Outer dimensions, cm	1000x1950x550	820x1850x450	820x1000x450
Inner dimensions, cm	929x1793x484	749x1693x384	748x843x384
Weight, kg	80	62	40
	NS.22.1.100.55.7012.ESD	NS.22.2.82.45.7012.ESD	NS.22.3.82.45.7012.ESD
	NS.22.1.100.55.7012	NS.22.2.82.45.7012	NS.22.3.82.45.7012
	NS.22.1.100.55.7035.ESD	NS.22.2.82.45.7035.ESD	NS.22.3.82.45.7035.ESD
	NS.22.1.100.55.7035	NS.22.2.82.45.7035	NS.22.3.82.45.7035

	Wardrobe cabinets		Combined cabinets	
Picture	2		3	
Outer dimensions, cm	1000x1950x550	820x1850x450	1000x1950x550	820x1850x450
Inner dimensions, cm	928x1793x484	748x1693x384	928x1792x484	748x1691x384
Weight, kg	68	52	78	58
	NS.22.7.100.55.7012.ESD	NS.22.8.82.45.7012.ESD	NS.22.5.100.55.7012.ESD	NS.22.6.82.45.7012.ESD
	NS.22.7.100.55.7012	NS.22.8.82.45.7012	NS.22.5.100.55.7012	NS.22.6.82.45.7012
	NS.22.7.100.55.7035.ESD	NS.22.8.82.45.7035.ESD	NS.22.5.100.55.7035.ESD	NS.22.6.82.45.7035.ESD
	NS.22.7.100.55.7035	NS.22.8.82.45.7035	NS.22.5.100.55.7035	NS.22.6.82.45.7035

NSLAB



 Selimpasa Mahallesi, 6093 sokak, N° 56/3
Silivri, Istanbul, Turkey

 info@nslabtech.com

 nslabtech.com